

BenQ

# RE6505E



### EDLA-certified with Enhanced Security:

The EDLA-certified RE6505E seamlessly integrates Google services with BenQ's reliable hardware and software. Easily access education apps via Google Play Store, along with Google and Microsoft tools, while benefiting from robust security features such as secure login options, access controls, regular system updates, and built-in Google Play Protect and Safe Browsing.



### Advanced Management Solutions (DMS & AMS):

The RE6505E series features BenQ's cloud-based DMS and AMS, providing centralised control of displays and user accounts from a single dashboard. DMS simplifies device setup with quick onboarding, remote configuration, app management, firmware updates, and task automation, while offering real-time analytics and energy usage insights. AMS ensures secure, personalised access with single sign-on and integration with cloud storage platforms such as Google Drive, OneDrive, and Nextcloud, keeping user data separate and allowing customised settings for a consistent user experience.



### Eye care technologies:

The RE6505E interactive display is equipped with eye protection technologies, including a low blue light filter and a flicker-free screen to reduce eye strain in the classroom, as well as an anti-glare 4K display for clear images.



Panel	<b>Screen size</b>	65"
	<b>Resolution</b>	UHD 3840 × 2160
	<b>Brightness</b>	450 nits
	<b>Typical contrast ratio</b>	1200:1
	<b>Dynamic contrast ratio</b>	50,000:1
	<b>Viewing angle (H/V)</b>	178° / 178°
	<b>Response time</b>	8 ms
	<b>Backlight life</b>	50,000 hrs
	<b>Panel surface</b>	AG, Haze 25%
	<b>Operating hours</b>	18 hours / 7 days
System	<b>Orientation</b>	Landscape
	<b>Memory   Storage</b>	8 GB   128 GB
	<b>OS</b>	Android 16.0 (EDLA)
	<b>GPU</b>	Mali-G52 MC3
	<b>CPU</b>	Octa-Core (A72 × 4 + A53 × 4)
Power	<b>NPU</b>	6 TOPS
	<b>Power supply</b>	AC 100-240 V, 50/60 Hz
	<b>Power consumption</b>	63 W
	<b>Standby</b>	<0.5 W
	<b>AC power switch</b>	Yes
Touch	<b>ENERGY STAR®</b>	Yes
	<b>Wake up</b>	HDMI
	<b>Technology</b>	Precision IR
	<b>Number of touch points</b>	up to 40
Glass	<b>Interface</b>	USB Type-B × 2
	<b>Thickness</b>	3.5 mm
	<b>Hardness</b>	9H tempered
ClassroomCare® Technology	<b>AG coating</b>	Yes
	<b>Eye care: flicker-free &amp; low blue light</b>	Yes (TÜV-certified)
	<b>Air quality sensors &amp; air ioniser</b>	No
	<b>Germ-resistant screen</b>	No
Environment	<b>Operating temperature</b>	0°C ~ 40°C
	<b>Operating humidity</b>	20% ~ 80% RH non-condensing
Connectivity	<b>Input</b>	HDMI 2.0 × 3, Mic (3.5 mm) × 1
	<b>Output</b>	HDMI 2.0 × 1, Earphone (3.5 mm) × 1, SPDIF (Optical) × 1
	<b>USB</b>	Type-A × 4 (3.0 × 3 / 2.0 × 1), Type-B × 2 (2.0), Type-C × 2 (2.0 × 1 [4-in-1: video, audio, touch, PD 15 W] / 2.0 × 1 [data, PD 65 W])
	<b>RS-232 (In)</b>	× 1
	<b>RJ45 (LAN)</b>	× 1 (Android: up to 1000 Mbps / OPS: up to 100 Mbps)
	<b>Wireless connectivity</b>	Optional WD02AT (Wi-Fi 6, Bluetooth 5.2)
	<b>OPS slot (for slot-in PC)</b>	× 1
	<b>Micro SD reader</b>	No
	<b>Speaker</b>	20 W × 2
	<b>Microphones</b>	No
Physical	<b>NFC sensor</b>	No
	<b>Dimensions (W × H × D)</b>	1483.5 × 891.3 × 100.9 mm
	<b>Weight (product   shipping)</b>	32.0 kg   41.5 kg
	<b>Bezel width (T   B   L   R)</b>	15   48.7   15   15 mm
	<b>Wall mounting (VESA) (screw type / max. length)</b>	VESA 400 × 400 mm (4 × M8 × 22L), wall mount kit included
Accessories	<b>Remote control</b>	× 1
	<b>Stylus</b>	× 2 (PT06)
	<b>Cables</b>	HDMI (3 m) × 1, USB-B for touch (3 m) × 1, Type-C (1.5 m) × 1

→ Specifications subject to change without notice.



**ENERGY STAR®**  
The energy-efficient design of the RE6505E displays meets ENERGY STAR® standards and can reduce power consumption by up to 70%.



**Sustainable packaging**  
We've reduced our transport and logistics footprint by increasing the loading rate by 60%.



**Remote energy control**  
Lower unnecessary power use with DMS by remotely powering displays on/off and setting schedules.

## SOFTWARE



### EZWrite 6

Save lessons in editable whiteboard files (IWB) with Cloud Whiteboarding. Google Classroom is integrated with EZWrite WEB.



### InstaShare 2

Wireless screen sharing & casting from any device. Share several screens simultaneously, with different types of content.



### X-Sign Broadcast

Announcement system with cross-campus communication. Send visual alerts, warnings, and videos to all or one specific device.



### AMS

Account Management System to conveniently load and access your account and cloud storage from any BenQ display.



### DMS

Device Management Solution centrally oversees all displays to get real-time status information, deploy OTA updates & more.

## INPUT AND OUTPUT TERMINALS

### FRONT I/O



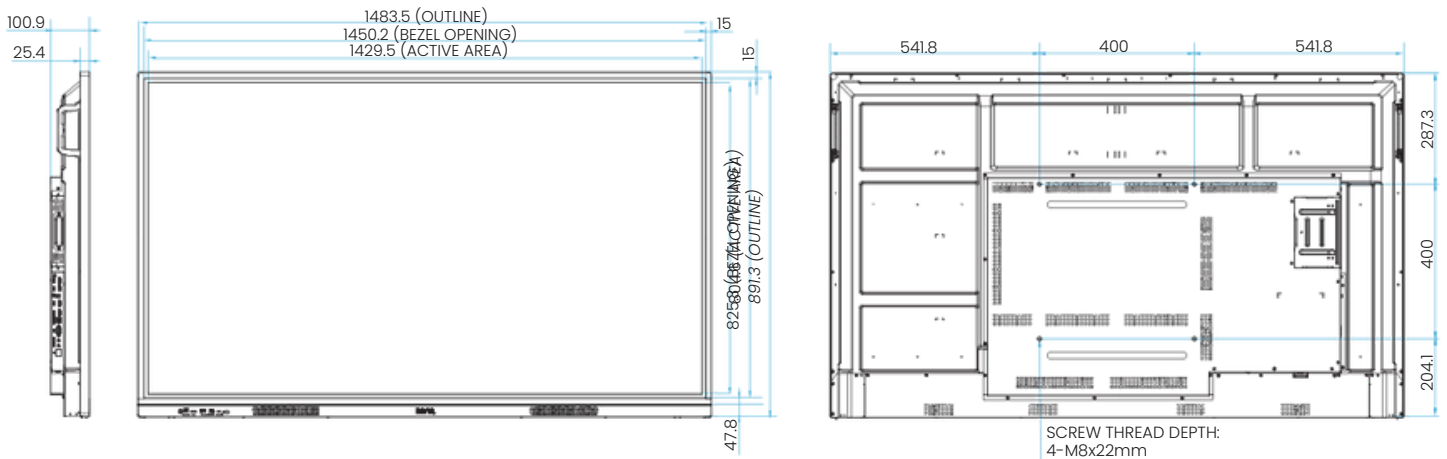
### DOWN I/O



### SIDE I/O (RIGHT)



## DIMENSIONS (MM)



**5 year de/re-install warranty** upon registration within 30 days of purchase.



© 2026 BenQ Corp. Specifications may vary by region, please visit your local stores for details. Actual product's features and specifications are subject to change without notice. This material may include corporate names and trademarks of third parties which are the properties of the third parties respectively.

