

Promultis Vista

The Promultis Vista is an Outdoor, IP66, up to 4000 Nits High Brightness Touchscreen. With 10 PCAP Touch Points and a Solid-State, Fanless Design.



Note: Product design specifications including dimensions are subject to change without notice and may vary from those shown. Please call us for the most up to date specifications and dimensions.

	32"	43"	55"
Panel size	32" TFT-LCD	43" TFT-LCD	55" TFT-LCD
Display area(mm)/mode	698.8(H)*393.3(V)mm 16:9	941.2(H)*529.4 (V)mm 16:9	1209.6(H)*680.4(V)mm 16:9
Maximum resolution	1920*1080		3840*2160
Display color	16.7M		
Pixel Pitch(mm)	0.49mm(H) x 0.49mm(V) (mm)		0.63mm(H) x 0.63mm(V) (mm)
Brightness (nits)	3000cd/m ²		
Backlight adjustment	Automatic light sensor		
Contrast	2000:1		3000:1
Visual angle	178°/178°		
Response time	5ms		
Grade	Commercial grade 24/7		
Life(hrs)	>60,000(hrs)		
INPUT AND OUTPUT			
HDMI	1		
USB	1		
Audio	1		
Speaker	2×10W (8 ohm)		
VIDEO			
Color system	PAL/NTSC/SECAM		
POWER			
Power supply	AC100~240V 50 /60 HZ		
Maximum power consumption	≤160W		≤240W
Standby power consumption	<5W		
TEMPERATURES			
Working temperature	-20°C ~ 55°C		
Storage temperature	-20°C ~ 60°C		
Working humidity	85%		
Storage humidity	85%		
Waterproof grade	IP66		
Temperature control	Aluminum cooling		
DETAILED FUNCTIONS			
Video format	MPEG1/MPEG2/MPEG4/DivX/ASP/WMV/AVI		
Audio format	Wave/MP3/WMA/AAC		
Image format	JPEG/BMP/TIFF/PNG/GIF		
Image resolution	480P/720P/1080P		480P/720P/1080P/2160P
Split screen display	Editable		
TOUCH PANEL			
Specification	Pcap touch		
Positioning accuracy	±1mms		
Transmittance	≥93%		
Hardness	7H		

Note: Product design specifications including dimensions are subject to change without notice and may vary from those shown. Please call us for the most up to date specifications and dimensions.

	32"	43"	55"
Touch points		10 touch points	
Response time		≤5ms	
Life span		More than 600 million times	
APPEARANCE			
Enclosure colour/appearance		White, black, customized	
Enclosure material		Metal case SPCC, Aluminum	
Glass		AG tempered glass	

Note: Product design specifications including dimensions are subject to change without notice and may vary from those shown. Please call us for the most up to date specifications and dimensions.



For more information
 Visit futurevisuals.co.uk or contact us on: 0151 372 7766
info@futurevisuals.co.uk

	65"	75"
Panel size	65" TFT-LCD	75" TFT-LCD
Display area(mm)/mode	1428.5mm(H) x 803.5mm(V) 16:9	1649(H)*927(V)mm 16:9
Maximum resolution	3840*2160	
Display color	16.7M	
Pixel Pitch(mm)	0.63mm(H) x 0.63mm(V) (mm)	
Brightness (nits)	3000cd/m ²	
Backlight adjustment	Automatic light sensor	
Contrast	3000:1	
Visual angle	178°/178°	
Response time	5ms	
Grade	Commercial grade 24/7	
Life(hrs)	>60,000(hrs)	
INPUT AND OUTPUT		
HDMI	1	
USB	1	
Audio	1	
Speaker	2×10W (8 ohm)	
VIDEO		
Color system	PAL/NTSC/SECAM	
POWER		
Power supply	AC100~240V 50 /60 HZ	
Maximum power consumption	≤320W	≤390W
Standby power consumption	<5W	
TEMPERATURE		
Working temperature	-20°C ~ 55°C	
Storage temperature	-20°C ~ 60°C	
Working humidity	85%	
Storage humidity	85%	
Waterproof grade	IP66	
Temperature control	Aluminum cooling	
DETAILED FUNCTIONS		
Video format	MPEG1/MPEG2/MPEG4/DivX/ASP/WMV/AVI	
Audio format	Wave/MP3/WMA/AAC	
Image format	JPEG/BMP/TIFF/PNG/GIF	
Image resolution	480P/720P/1080P/2160P	
Split screen display	Editable	
TOUCH PANEL		
Specification	Pcap touch	
Positioning accuracy	±1mm	
Transmittance	≥93%	
Hardness	7H	

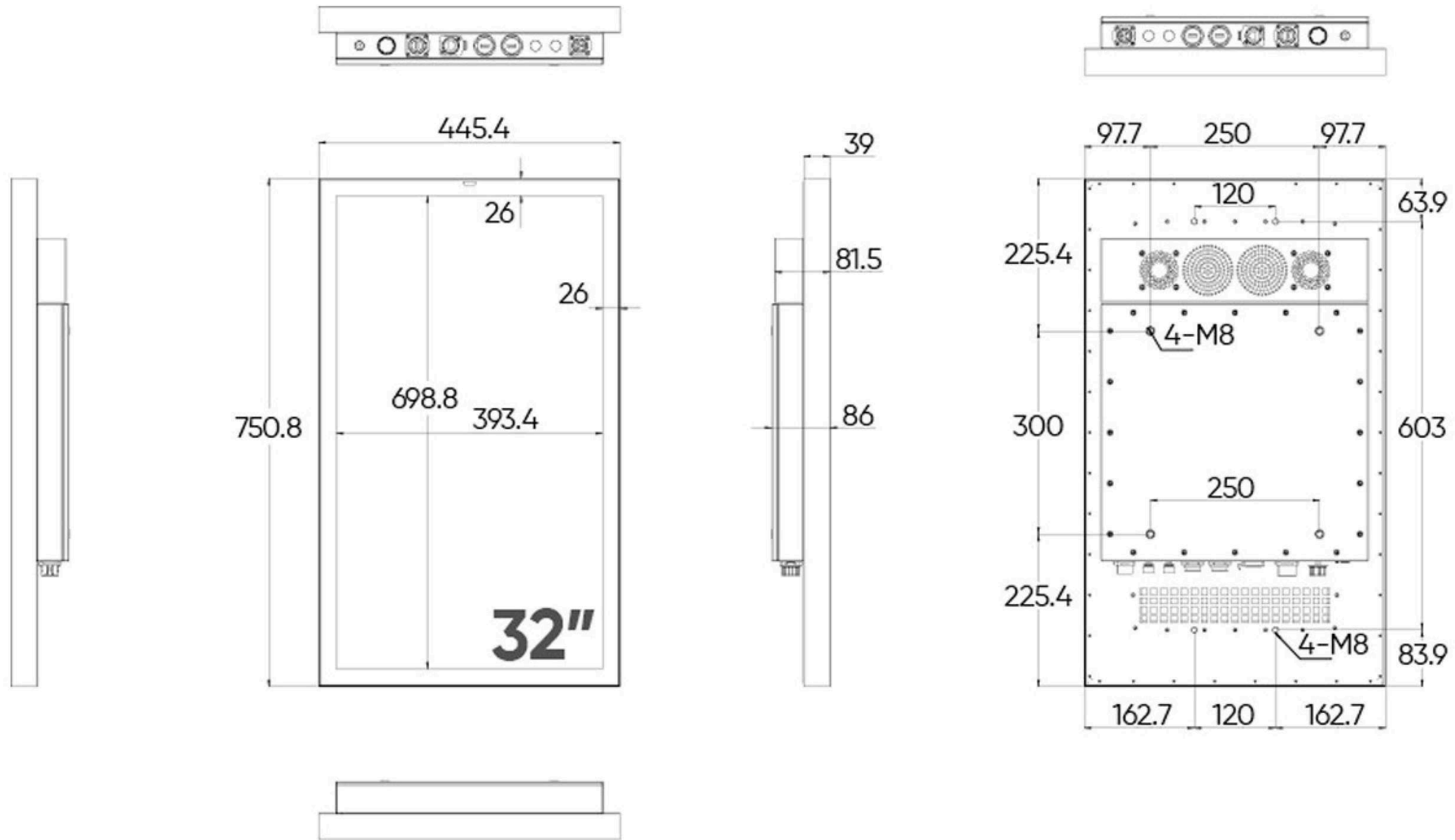
Note: Product design specifications including dimensions are subject to change without notice and may vary from those shown. Please call us for the most up to date specifications and dimensions.

	65"	75"
Touch points		10
Response time		≤5ms
Life span		More than 600 million times
APPEARANCE		
Enclosure color/appearance		White, black, customized
Enclosure material		Metal case SPCC, Aluminum
Glass		AG tempered glass

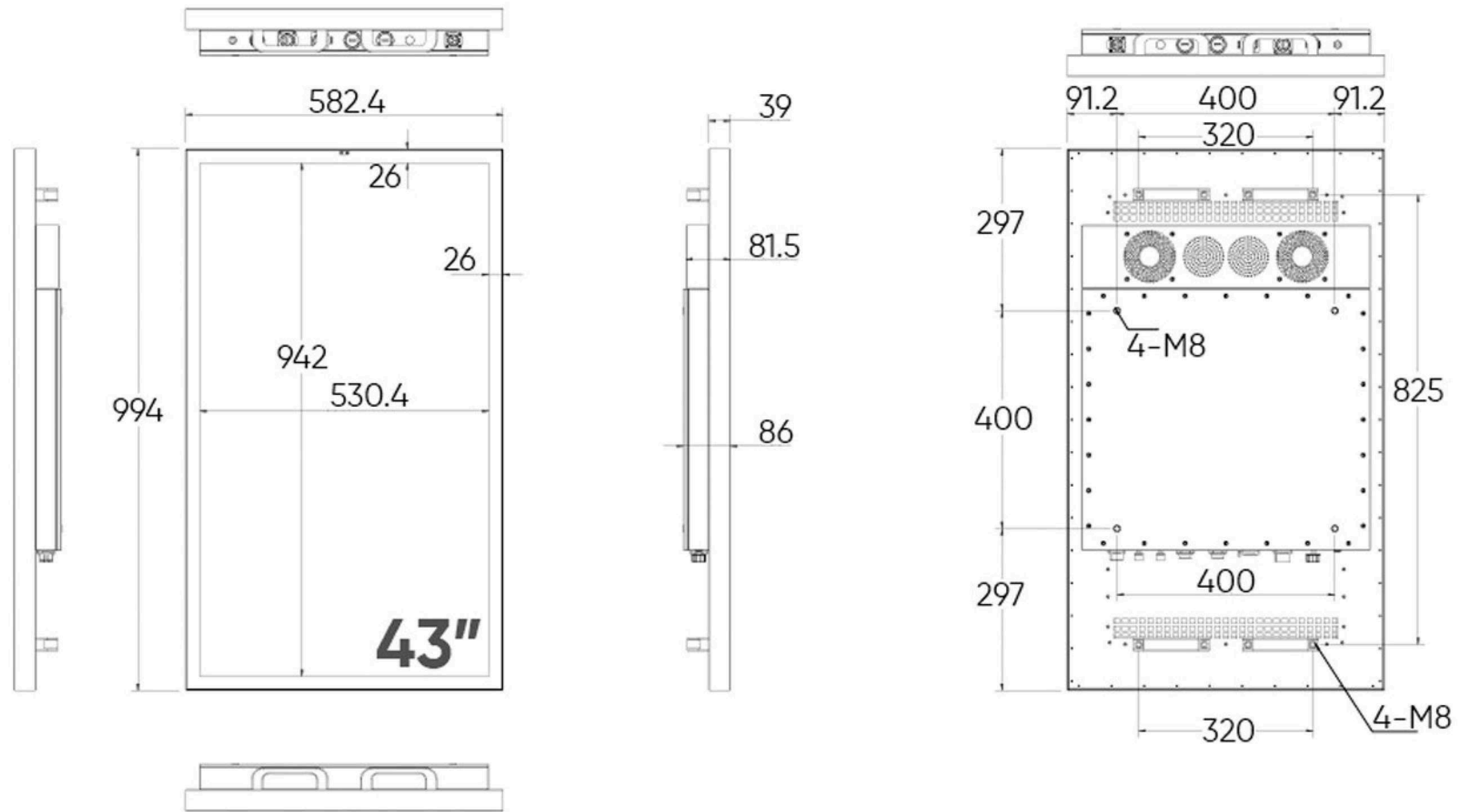
Note: Product design specifications including dimensions are subject to change without notice and may vary from those shown. Please call us for the most up to date specifications and dimensions.



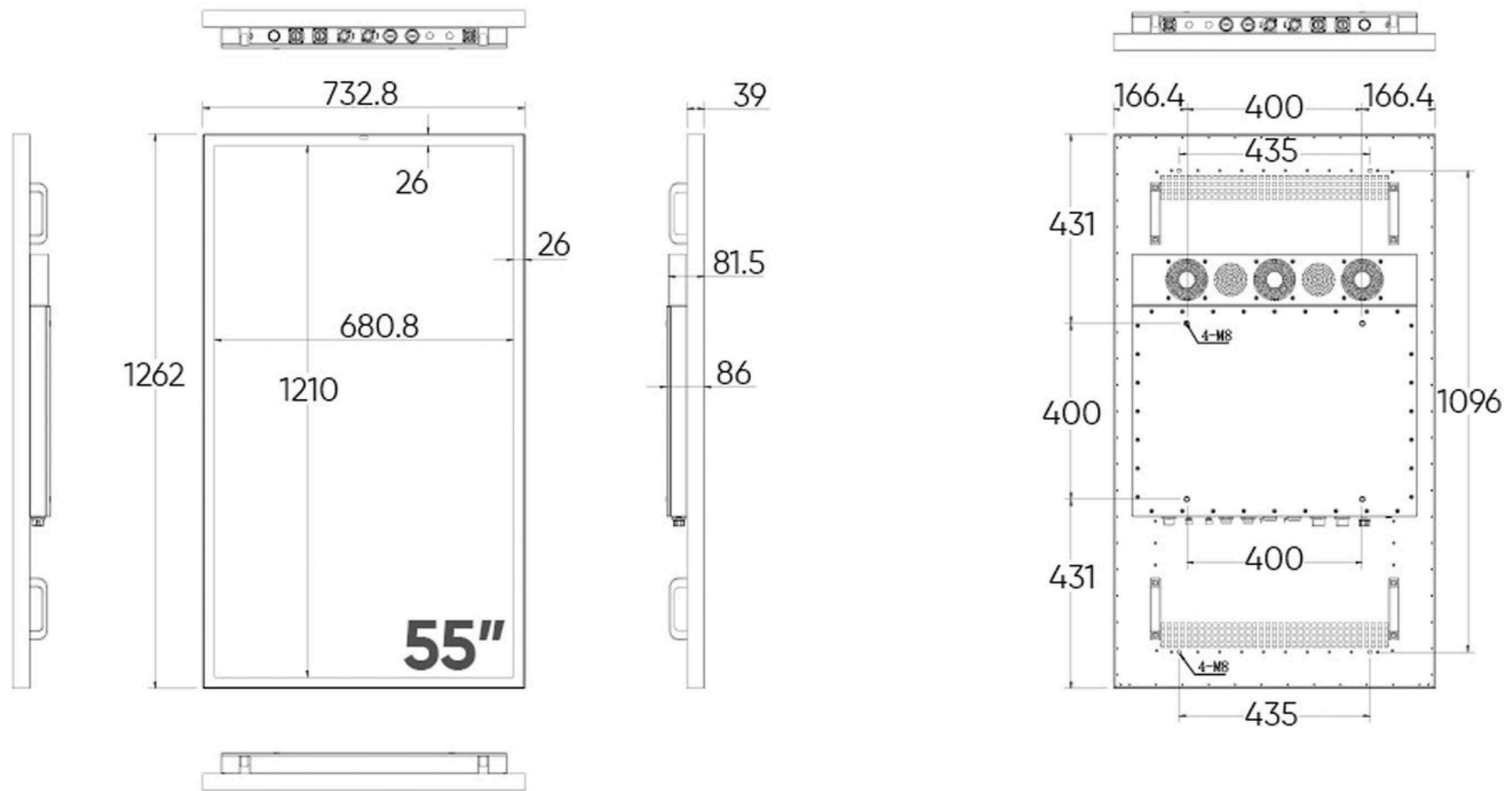
For more information
 Visit futurevisuals.co.uk or contact us on: 0151 372 7766
info@futurevisuals.co.uk



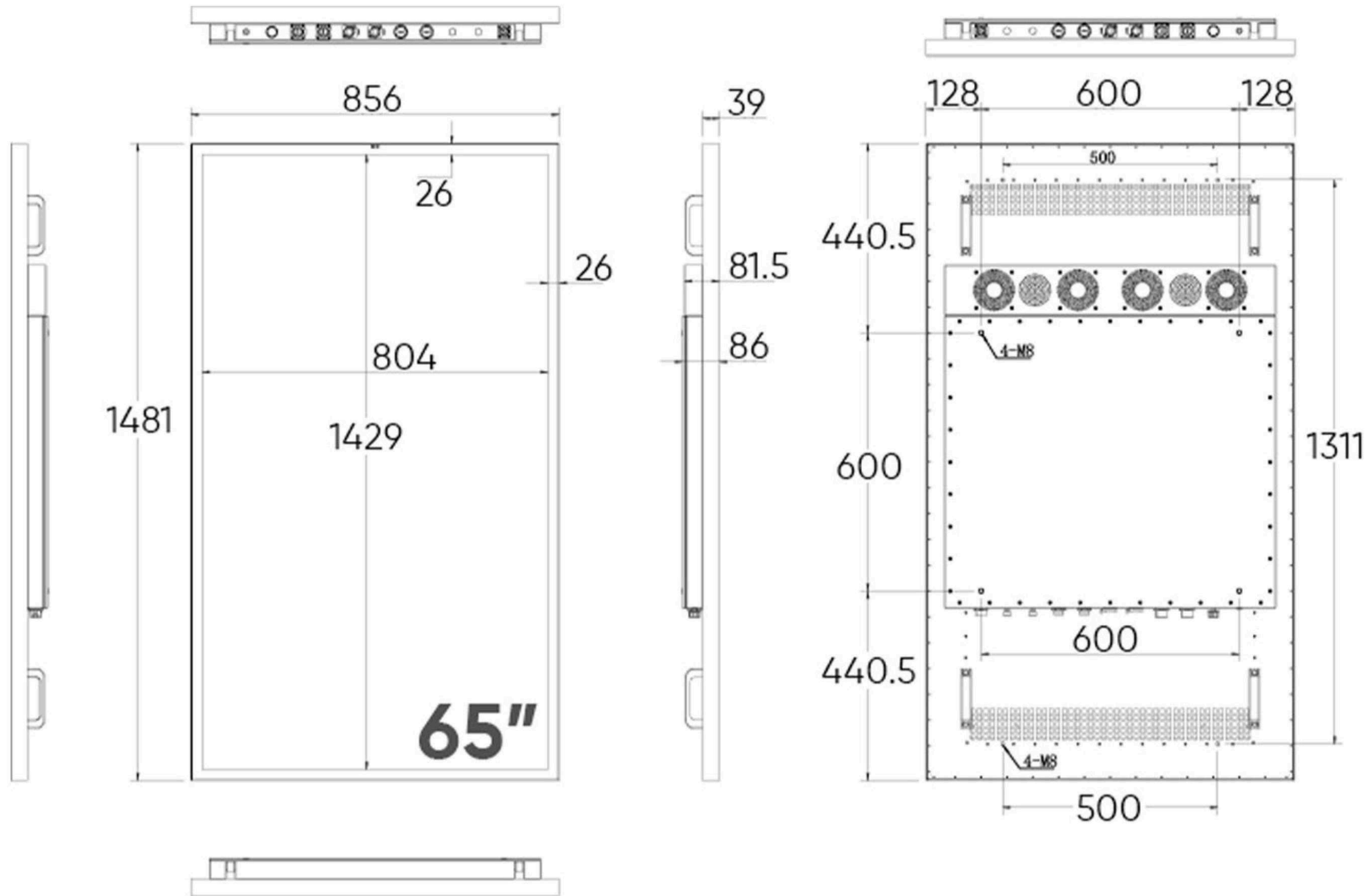
Note: Product design specifications including dimensions are subject to change without notice and may vary from those shown. Please call us for the most up to date specifications and dimensions.



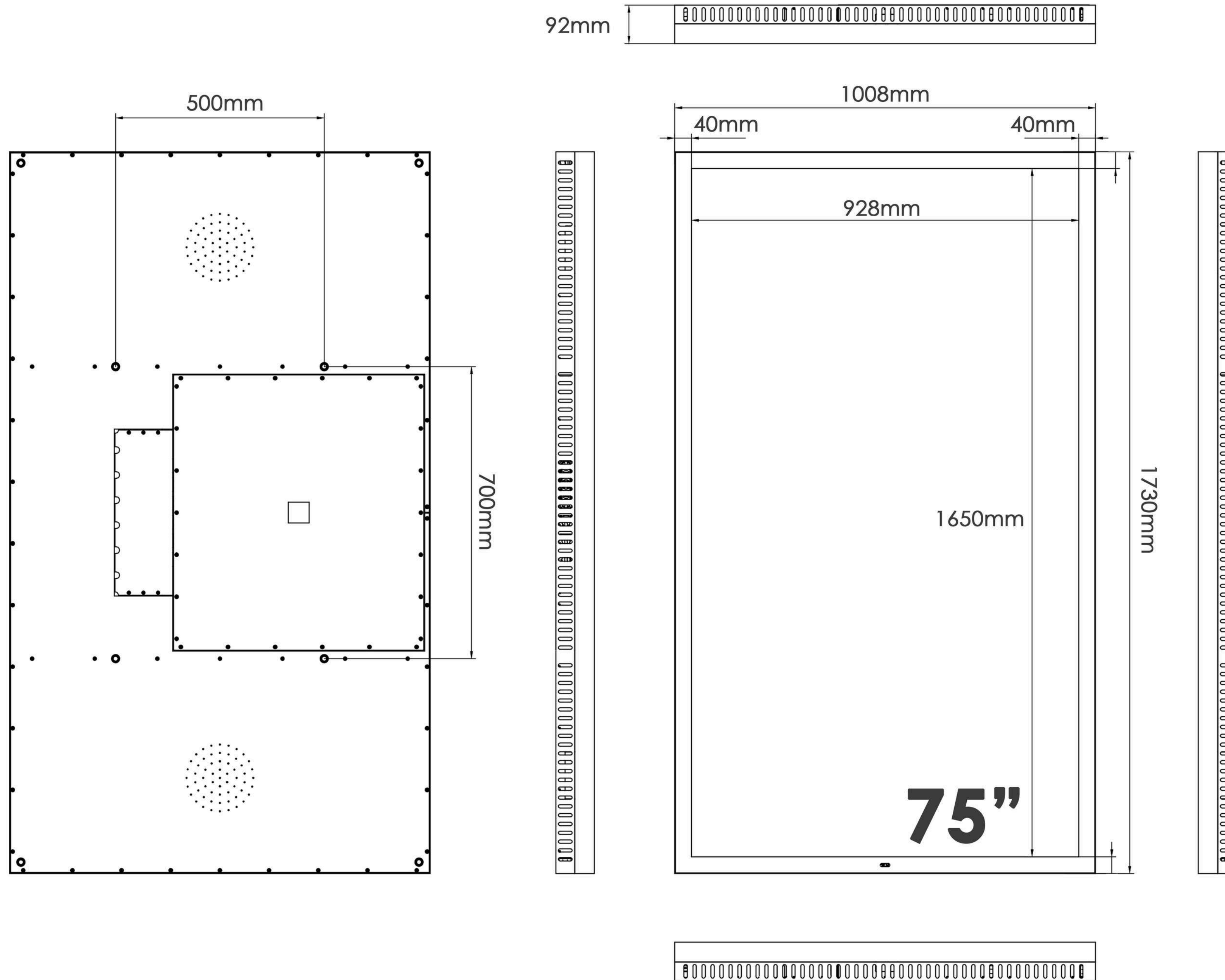
Note: Product design specifications including dimensions are subject to change without notice and may vary from those shown. Please call us for the most up to date specifications and dimensions.



Note: Product design specifications including dimensions are subject to change without notice and may vary from those shown. Please call us for the most up to date specifications and dimensions.



Note: Product design specifications including dimensions are subject to change without notice and may vary from those shown. Please call us for the most up to date specifications and dimensions.



Note: Product design specifications including dimensions are subject to change without notice and may vary from those shown. Please call us for the most up to date specifications and dimensions.