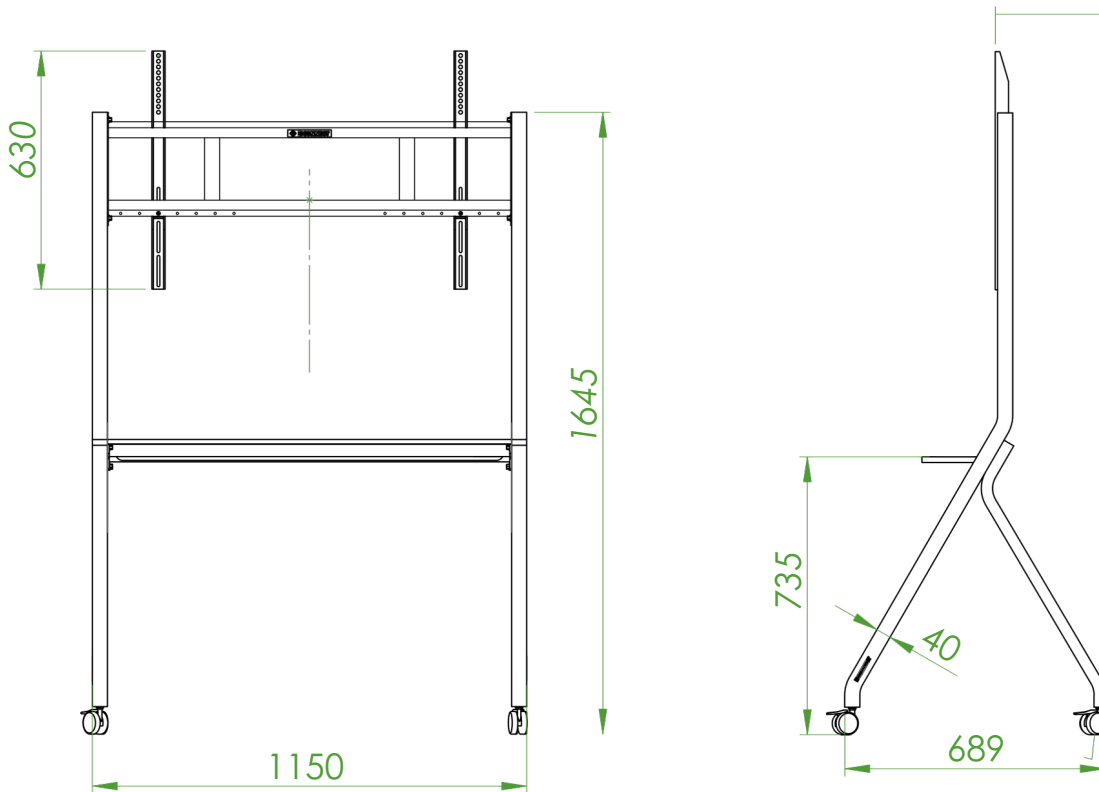




**LET'S GET  
SPECIFIC!**

# STAND 2

Datasheet



## PRODUCT NUMBER

i3CONNECT Stand 2

10010742

## DIMENSIONS

- Dimensions - product (L x W x D):  
1770 x 665 x 1150 mm

## MOUNTING SYSTEM

- Large wheels for smooth rolling
- colour trolley: black / dark silver
- Fits 55" - 86" display screens
- Load capacity: 120 kg
- VESA pattern range:  
200 x 200 mm - 1000 x 600 mm

## QUALITY & SAFETY

- CE certified
- 2 years or warranty based on carry-in

## LOGISTIC DIMENSIONS

- Box size (mm): 1630(W) x 755 (H) x 160 (D)
- Gross weight per box: 21.6 kg EAN number:
- 8719481482305

Allrights reserved. i3CONNECT products and services mentioned herein as well as their respective logos are trademarks or registered trademarks of i3-Technologies BV. All other product and service names mentioned are the trademarks of their respective owners. All weights and dimensions are approximate. Product specifications are subject to change without prior notification.