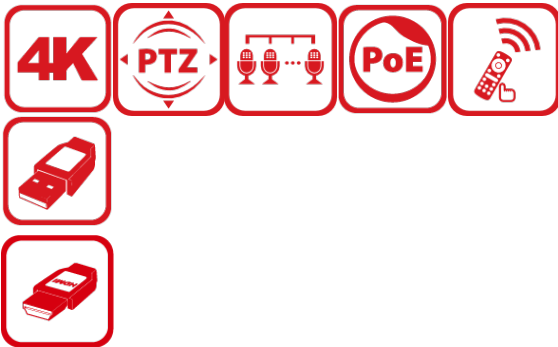


**iDS-UVC-P38****4 K Auto Tracking PTZ Camera**

- 4 K (WDR) CMOS
- High quality imaging with 3840 × 2160 resolution
- Adopt a zoom low-distortion lens with equivalent focal lengths ranging from 23.8 mm to 476 mm, auto-focus, 20× optical zoom, and 16× digital zoom
- Support smart functions, including human body following, sound source localization, and more
- Quad-microphone built into the PTZ camera with clear sound, supporting noise reduction algorithm for clear audio pickup
- Support adjusting related parameters via remote control and setting up to 5 custom scene presets
- Easy installation with Power over Ethernet (PoE) technology
- Clear imaging against strong back light due to 120 dB technology
- USB Type-C interface, supporting USB 3.0 protocol, plug-and-play, no need to install driver software; HDMI interface, HDBT interface, and 3G-SDI interface for live view

## ▪ Specification

Camera	
Image Sensor	1/2.8" 4 K CMOS
Max. Resolution	3840 (H) × 2160 (V)
USB Output	MJPG/H.264: 3840 × 2160, 2560 × 1440 @30/25 fps 1920 × 1080, 1280 × 960, 1280 × 720, 640 × 480, 640 × 360 @60/50/30/25 fps YUY2/NV12: 2560 × 1440 @30/25 fps 1920 × 1080, 1280 × 960, 1280 × 720, 640 × 480, 640 × 360 @60/50/30/25 fps
SDI Output	SDI: 1920 × 1080 @60/50/30/25 fps
Shutter Time	PAL: 1/25 s to 1/10,000 s, NTSC: 1/30 s to 1/10,000 s
Object Distance Range	Wide: 0.1 m to ∞ Tele: 1.5 m to ∞
Angle Adjustment	Pan: -165° to 165°, Tilt: -90° to 30°
Optical Zoom	20×
Digital Zoom	16×
HDMI Output	RGB888 (RGB24): 3840 × 2160 @30/25 fps 2560 × 1440 @30 fps 1920 × 1080 @60/50/30/25 fps
Network	
Main Stream	50 Hz: 25 fps (3840 × 2160, 2560 × 1440, 1920 × 1080, 1280 × 960, 1280 × 720, 1024 × 576, 720 × 480, 640 × 480, 640 × 360, 480 × 272, 320 × 240, 320 × 180) 60 Hz: 30 fps (3840 × 2160, 2560 × 1440, 1920 × 1080, 1280 × 960, 1280 × 720, 1024 × 576, 720 × 480, 640 × 480, 640 × 360, 480 × 272, 320 × 240, 320 × 180) 100 Hz: 50 fps (3840 × 2160, 2560 × 1440, 1920 × 1080, 1280 × 960, 1280 × 720, 1024 × 576, 720 × 480, 640 × 480, 640 × 360, 480 × 272, 320 × 240, 320 × 180) 120 Hz: 60 fps (3840 × 2160, 2560 × 1440, 1920 × 1080, 1280 × 960, 1280 × 720, 1024 × 576, 720 × 480, 640 × 480, 640 × 360, 480 × 272, 320 × 240, 320 × 180)
Sub-Stream	50 Hz: 25 fps (1920 × 1080, 1280 × 720, 1024 × 576, 950 × 540, 640 × 480, 640 × 360, 320 × 240, 320 × 180) 60 Hz: 30 fps (1920 × 1080, 1280 × 720, 1024 × 576, 950 × 540, 640 × 480, 640 × 360, 320 × 240, 320 × 180)
Third Stream	50 Hz: 25 fps (1920 × 1080, 1280 × 720, 640 × 360) 60 Hz: 30 fps (1920 × 1080, 1280 × 720, 640 × 360)

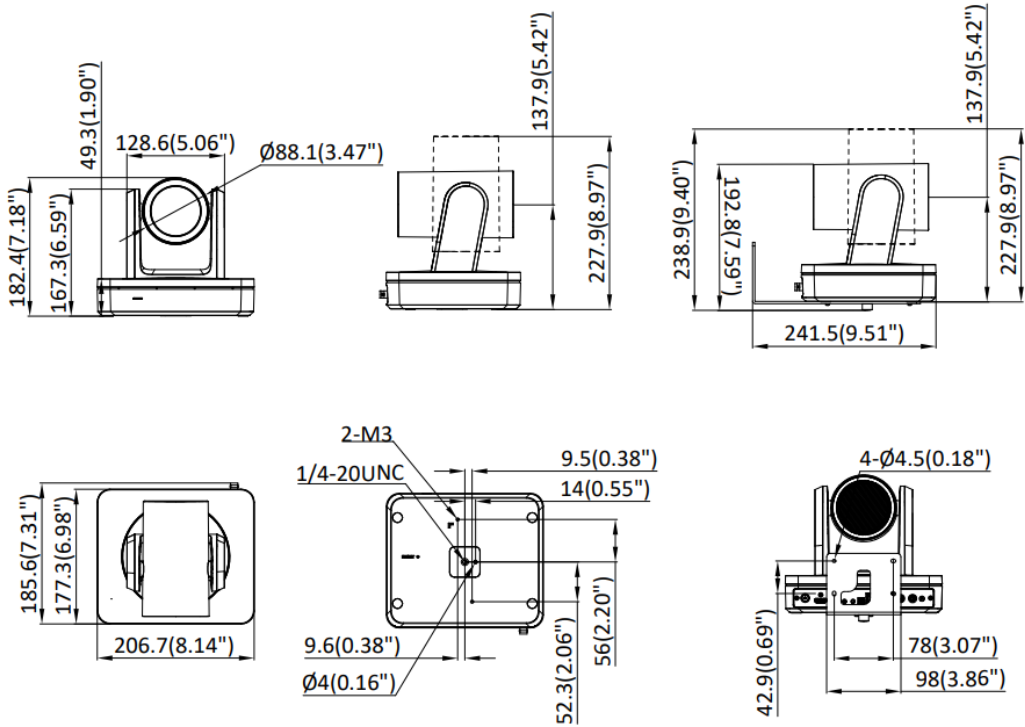
Video Compression	Main stream: H.264/H.265/MJPEG Sub-stream: H.264/H.265/MJPEG Third stream: H.264/H.265/MJPEG
Video Bit Rate	32 Kbps to 163,840 Kbps
H.264 Type	Baseline Profile, Main Profile, High Profile
H.265 Type	Main Profile
Audio Encoding Format	G722.1/G.711ulaw/G.711alaw/MP2L2/G726/AAC-LC/PCM/MP3
Protocols	TCP/IP, ICMP, HTTP, HTTPS, FTP, DHCP, DNS, DDNS, RTP, RTSP, RTCP, PPPoE, NTP, UPnP, SMTP, SNMP, IGMP, 802.1X, QoS, IPv6, UDP, Bonjour, SSL/TLS, WebSocket, WebSockets
API	SDK, ONVIF
Web Browser	Chrome 80+, Firefox 80+, Edge 89+, Safari 13+
<b>Lens</b>	
Focal Length & FOV	Varifocal lens: 3.5 mm to 70 mm, horizontal FOV 78.7° to 4.9°, vertical FOV 48.4° to 2.8°, diagonal FOV 87.2° to 5.6° Equivalent focal length: 23.8 mm to 476 mm
Focus	Auto, Semi-auto
<b>Microphone</b>	
Type	MEMS
Polar Pattern	360° omni-directional
Pickup Distance	In a radius of up to 5 m
Amount	Quad-microphone
Frequency Response	100 Hz to 8 kHz
Sensitivity	-38 ± 1.5 dBV/Pa
SNR	64 dB(A)
Sampling Rate	16kHz/32kHz/48kHz
<b>Functions</b>	
Image Function	Support adjustment of related parameters such as exposure, white balance, image settings (including image mode, contrast, sharpness, saturation, hue, Gamma and mirror), and wide dynamic range
Audio Function	Support steady and transient smart noise reduction, automatic gain control, time domain equalization algorithm, ambient noise suppression and enhanced vocals to enhance speech quality and offer audio in high quality
Smart Function	Human body following, sound source localization
LED Indicator	Device startup: solid white -> flashing white -> solid white Device working: solid white Device mute: solid red Device shutdown: light off
<b>Communication</b>	
Communication Method	Camera and remote control: 2.4 GHz Wi-Fi
Wired Communication Distance	Camera and remote control: 10 m
<b>Image</b>	
Wide Dynamic Range (WDR)	≥120 dB
<b>Interface</b>	
USB	1 USB Type-C port (audio and video transmission), supports USB 3.0 protocol

HD Interface	1 HDMI port (audio and video transmission), supports HDMI 1.4 protocol 1 3G-SDI port (audio and video transmission), supports SMPTE 424M protocol
Ethernet Interface	1 RJ45 10 M/100 M/1000 M self-adaptive Ethernet port
Audio	1 input (line in), 3.5 mm three-segment TRS interface 1 output (line out), 3.5 mm three-segment TRS interface
Communication Interface	1 RS-232 IN port, 1 RS-232 OUT port, supporting VISCA protocol (RS-232) keyboard control interface, baud rate: 9600; supporting PTZ control, zoom control, preset settings, calling, and deletion, presets: 255 1 RS-485 port, supporting VISCA protocol (RS-485) keyboard control interface, default baud rate: 9600; supporting PTZ control, zoom control, preset settings, calling, and deletion, presets: 255
Power Interface	12 VDC, Ø2.1 mm coaxial power plug
Other	1 HDBT interface
<b>Compatibility</b>	
System Requirement	Operating System: Windows 7/8/10/11 Android 8.1 and above version Linux 4.14 and above version macOS 10.12 and above version
<b>General</b>	
Power	12 VDC ± 25% PoE: IEEE 802.3at, Class 4, max. 24.9 W
Operating Condition	-10 °C to 45 °C (14 °F to 113 °F). Humidity 90% or less (non-condensing)
Dimension	206.7 mm × 163.3 mm × 227.9 mm (8.14" × 6.43" × 8.97")
Package Dimension	328 mm × 240 mm × 250 mm (12.91" × 9.45" × 9.84")
Weight	Approx. 2,420 g (5.34 lb.)
With Package Weight	Approx. 4,110 g (9.06 lb.)
Packing List	Camera (including lens cover) × 1 Remote Control × 1 Power Adapter (1.2 m, with American, British, and European plug adapter) × 1 Power Adapter Extension Cable (3 m) × 1 USB 3.0 Cable (2 m) × 1 Bracket × 1 Screws × 1 Battery × 2 Regulatory Compliance and Safety Information × 1

## ▪ Available Model

iDS-UVC-P38

## ▪ Dimension



Unit:mm (inch)

# See Far, Go Further



[www.hikvision.com](http://www.hikvision.com)  
[support@hikvision.com](mailto:support@hikvision.com)

