



# All-in-One Video Bar

Quick Start Guide

# Legal Information

## About this Document


- This Document includes instructions for using and managing the Product. Pictures, charts, images and all other information hereinafter are for description and explanation only.
- The information contained in the Document is subject to change, without notice, due to firmware updates or other reasons. Please find the latest version of the Document at the Hikvision website (<https://www.hikvision.com>). Unless otherwise agreed, Hangzhou Hikvision Digital Technology Co., Ltd. or its affiliates (hereinafter referred to as "Hikvision") makes no warranties, express or implied.
- Please use the Document with the guidance and assistance of professionals trained in supporting the Product.

## About this Product

This product can only enjoy the after-sales service support in the country or region where the purchase is made.

## Acknowledgment of Intellectual Property Rights

- Hikvision owns the copyrights and/or patents related to the technology embodied in the Products described in this Document, which may include licenses obtained from third parties.
- Any part of the Document, including text, pictures, graphics, etc., belongs to Hikvision. No part of this Document may be excerpted, copied, translated, or modified in whole or in part by any means without written permission.
- **HIKVISION** and other Hikvision's trademarks and logos are the properties of Hikvision in various jurisdictions.
- Other trademarks and logos mentioned are the properties of their respective owners.

-  **HDMI**<sup>TM</sup> The terms HDMI, HDMI High-Definition Multimedia Interface, HDMI  
HIGH-DEFINITION MULTIMEDIA INTERFACE

Trade dress and the HDMI Logos are trademarks or registered trademarks of HDMI Licensing Administrator, Inc.

## LEGAL DISCLAIMER

- TO THE MAXIMUM EXTENT PERMITTED BY APPLICABLE LAW, THIS DOCUMENT AND THE PRODUCT DESCRIBED, WITH ITS HARDWARE, SOFTWARE AND FIRMWARE, ARE PROVIDED "AS IS" AND "WITH ALL FAULTS AND ERRORS". HIKVISION MAKES NO WARRANTIES, EXPRESS OR IMPLIED, INCLUDING WITHOUT LIMITATION, MERCHANTABILITY, SATISFACTORY QUALITY, OR FITNESS FOR A PARTICULAR PURPOSE. THE USE OF THE PRODUCT BY YOU IS AT YOUR OWN RISK. IN NO EVENT WILL HIKVISION BE LIABLE TO YOU FOR ANY SPECIAL, CONSEQUENTIAL, INCIDENTAL, OR INDIRECT DAMAGES, INCLUDING, AMONG OTHERS, DAMAGES FOR LOSS OF BUSINESS PROFITS, BUSINESS INTERRUPTION, OR LOSS OF DATA, CORRUPTION OF SYSTEMS, OR LOSS OF DOCUMENTATION, WHETHER BASED ON BREACH OF CONTRACT, TORT (INCLUDING NEGLIGENCE), PRODUCT LIABILITY, OR OTHERWISE, IN CONNECTION

WITH THE USE OF THE PRODUCT, EVEN IF HIKVISION HAS BEEN ADVISED OF THE POSSIBILITY OF SUCH DAMAGES OR LOSS.

- YOU ACKNOWLEDGE THAT THE NATURE OF THE INTERNET PROVIDES FOR INHERENT SECURITY RISKS, AND HIKVISION SHALL NOT TAKE ANY RESPONSIBILITIES FOR ABNORMAL OPERATION, PRIVACY LEAKAGE OR OTHER DAMAGES RESULTING FROM CYBER-ATTACK, HACKER ATTACK, VIRUS INFECTION, OR OTHER INTERNET SECURITY RISKS; HOWEVER, HIKVISION WILL PROVIDE TIMELY TECHNICAL SUPPORT IF REQUIRED.
- YOU AGREE TO USE THIS PRODUCT IN COMPLIANCE WITH ALL APPLICABLE LAWS, AND YOU ARE SOLELY RESPONSIBLE FOR ENSURING THAT YOUR USE CONFORMS TO THE APPLICABLE LAW. ESPECIALLY, YOU ARE RESPONSIBLE, FOR USING THIS PRODUCT IN A MANNER THAT DOES NOT INFRINGE ON THE RIGHTS OF THIRD PARTIES, INCLUDING WITHOUT LIMITATION, RIGHTS OF PUBLICITY, INTELLECTUAL PROPERTY RIGHTS, OR DATA PROTECTION AND OTHER PRIVACY RIGHTS. YOU SHALL NOT USE THIS PRODUCT FOR ANY PROHIBITED END-USES, INCLUDING THE DEVELOPMENT OR PRODUCTION OF WEAPONS OF MASS DESTRUCTION, THE DEVELOPMENT OR PRODUCTION OF CHEMICAL OR BIOLOGICAL WEAPONS, ANY ACTIVITIES IN THE CONTEXT RELATED TO ANY NUCLEAR EXPLOSIVE OR UNSAFE NUCLEAR FUEL-CYCLE, OR IN SUPPORT OF HUMAN RIGHTS ABUSES.
- IN THE EVENT OF ANY CONFLICTS BETWEEN THIS DOCUMENT AND THE APPLICABLE LAW, THE LATTER PREVAILS.




**© Hangzhou Hikvision Digital Technology Co., Ltd. All rights reserved.**

## Applicable Models

This manual is applicable to the All-in-One Video Bar.

## Symbol Conventions


The symbols that may be found in this document are defined as follows.

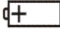
| Symbol   | Description   |
|--|---|
|  <b>Note</b>    | Provides additional information to emphasize or supplement important points of the main text.   |
|  <b>Caution</b> | Indicates a potentially hazardous situation, which if not avoided, could result in equipment damage, data loss, performance degradation, or unexpected results. |
|  <b>Danger</b>  | Indicates a hazard with a high level of risk, which if not avoided, will result in death or serious injury.   |

## Safety Instructions

Please read all the safety information carefully before using.

- In the use of the product, you must be in strict compliance with the electrical safety regulations of the nation and region.
- The device shall not be exposed to water dripping or splashing, and no objects filled with liquids, such as vases, shall be placed on the device.
- Provide a surge suppressor at the inlet opening of the device under special conditions such as the mountain top, iron tower, and forest.
- The device must be connected to an earthed mains socket-outlet.
- The socket-outlet shall be installed near the device and shall be easily accessible.
- Do not touch the bare components (such as the metal contacts of the inlets) and wait for at least 5 minutes, since electricity may still exist after the device is powered off.

-  **WARNING**
  - 1) Do not ingest battery. Chemical Burn Hazard!
  - 2) This product contains a coin/button cell battery. If the coin/button cell battery is swallowed, it can cause severe internal burns in just 2 hours and can lead to death.
  - 3) Keep new and used batteries away from children.
  - 4) If the battery compartment does not close securely, stop using the product and keep it away from children.
  - 5) If you think batteries might have been swallowed or placed inside any part of the body, seek immediate medical attention.

- 6) CAUTION: Risk of explosion if the battery is replaced by an incorrect type.
  - 7) Improper replacement of the battery with an incorrect type may defeat a safeguard (for example, in the case of some lithium battery types).
  - 8) Do not dispose of the battery into fire or a hot oven, or mechanically crush or cut the battery, which may result in an explosion.
  - 9) Do not leave the battery in an extremely high temperature surrounding environment, which may result in an explosion or the leakage of flammable liquid or gas.
  - 10) Do not subject the battery to extremely low air pressure, which may result in an explosion or the leakage of flammable liquid or gas.
  - 11) Dispose of used batteries according to the instructions.
-  identifies the battery holder itself and identifies the positioning of the cells inside the battery holder.
  - + identifies the positive terminals of the device which is used with, or generates direct current, and - identifies the negative terminal(s) of the device which is used with, or generates direct current.
  - No naked flame sources, such as lighted candles, should be placed on the device.
  - The serial port of the device is used for debugging only.
  - If a power adapter is provided in the device package, use the provided adapter only. If no power adapter is provided, ensure the power adapter or other power supply complies with Limited Power Source. Refer to the product label for the power supply output parameters.
  - Install the device according to the instructions in Quick Start Guide.
  - To prevent injury, this device must be securely attached to the installation surface in accordance with the installation instructions.
  - Never place the device in an unstable location. The device may fall, causing serious personal injury or death.
  - The additional force shall be equal to three times the weight of the device but not less than 50 N. The device and its associated mounting means shall remain secure during the installation.
  - After the installation, the device, including any associated mounting plate, shall not be damaged.
  - CAUTION: If the device needs to be installed with a specific bracket of our company, use the corresponding bracket only. Use others (such as carts, stands, and carriers) may result in instability and cause injury. Refer to the device datasheet for bracket model details.
  - For the device with sound playing function, to prevent possible hearing damage, do not listen at high volume levels for long periods.
  - The interface varies with the models. Please refer to the product datasheet for details.
  - If the device needs to be wired by yourself, select the corresponding wire to supply power according to the electric parameters labeled on the device. Strip off wire with a standard wire stripper at corresponding position. To avoid serious consequences, the length of stripped wire shall be appropriate, and conductors shall not be exposed.
  - Make sure that the power has been disconnected before you wire, install, or disassemble the device.

- If smoke, odor, or noise arises from the device, immediately turn off the power, unplug the power cable, and contact the service center.

# TABLE OF CONTENTS

|  |           |
|--|-----------|
| <b>Chapter 1 Introduction .....</b>        | <b>1</b>  |
| 1.1 Packaging List.....                    | 1         |
| 1.2 Appearance and Interfaces .....        | 1         |
| 1.2.1 Front Appearance .....               | 1         |
| 1.2.2 Back Appearance .....                | 1         |
| 1.2.3 Interfaces Description .....         | 2         |
| 1.3 Remote Control.....                    | 3         |
| 1.3.1 Indicator Status Description.....    | 4         |
| 1.3.2 Remote Control Pairing.....          | 4         |
| <b>Chapter 2 Installation .....</b>        | <b>7</b>  |
| 2.1 Installation Description .....         | 7         |
| 2.1.1 Place on the Table.....              | 7         |
| 2.1.2 Wall Mounting .....                  | 7         |
| 2.2 Connection Description .....           | 10        |
| <b>Chapter 3 Screen Mirroring .....</b>    | <b>12</b> |
| 3.1 Wireless Dongle Screen Mirroring ..... | 12        |
| 3.2 WonderCast Screen Mirroring .....      | 13        |
| 3.3 Meeting.....                           | 14        |
| 3.3.1 Wireless Meeting .....               | 14        |
| 3.3.2 Wired Meeting .....                  | 14        |
| <b>Chapter 4 System Settings .....</b>     | <b>17</b> |

# Chapter 1 Introduction

Based on audio and video processing technology, the All-in-One Video Bar (referred to as "the device") is an easy-to-use, efficient, smooth, and safe video conference camera.

The device is designed for seamless integration with popular conference platforms, offering versatility for a wide array of applications including daily conferences, remote training sessions, telemedicine consultations and collaborative work environments.

## 1.1 Packaging List

Table 1-1 Packaging List

| Name                   | Quantity | Name   | Quantity |
|------------------------|----------|--|----------|
| All-in-One Video Bar   | 1        | Wireless Dongle                              | 1        |
| Power Adapter          | 1        | Quick Start Guide                            | 1        |
| Remote Control         | 1        | Regulatory Compliance and Safety Information | 1        |
| Remote Control Battery | 2        | Thank You Card                               | 1        |
| HDMI Cable             | 1        | USB A2C Cable                                | 1        |
| Wall-Mounted Bracket   | 1        | /  | /        |

## 1.2 Appearance and Interfaces

### 1.2.1 Front Appearance

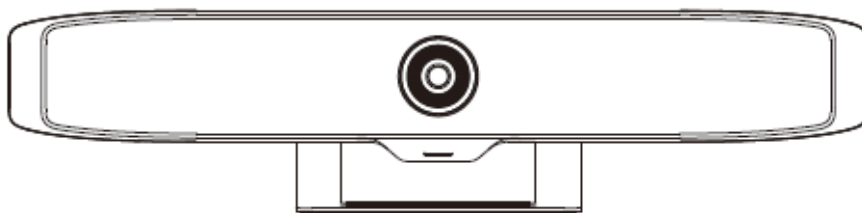


Figure 1-1 Device Front Appearance

### 1.2.2 Back Appearance

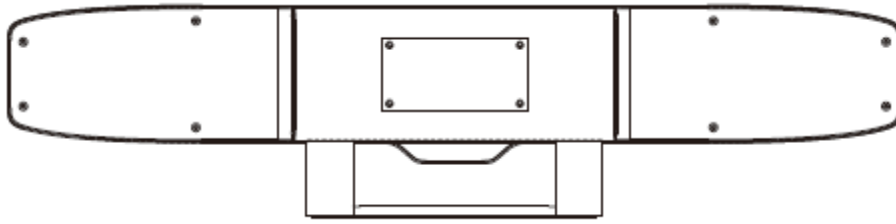


Figure 1-2 Device Back Appearance

### 1.2.3 Interfaces Description

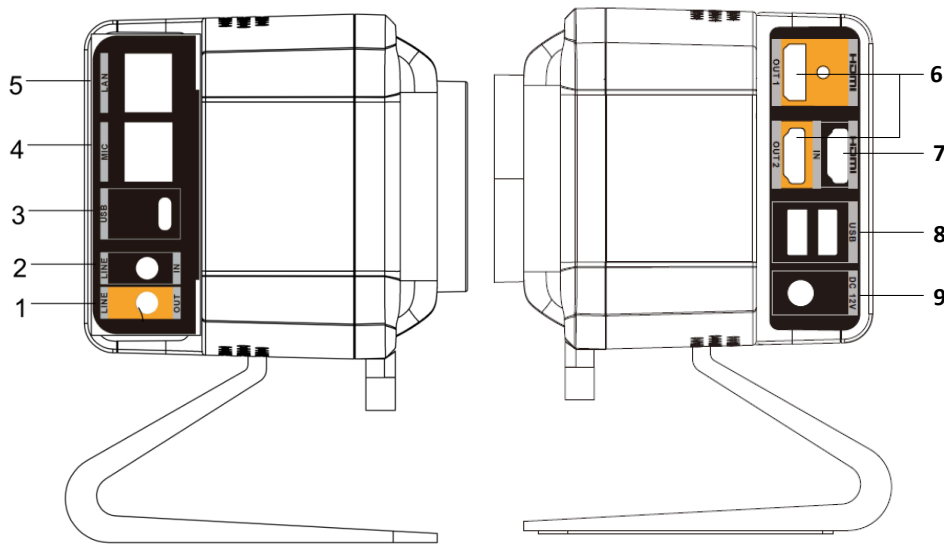


Figure 1-3 Device Interfaces

Table 1-2 Interfaces Description

| No. | Name         | Description  |
|-----|--------------|--|
| 1   | LINE OUT     | Audio output interface, supporting connecting to the external speaker.   |
| 2   | LINE IN      | Audio input interface, supporting connecting to the external sound system, e.g., sound console.                |
| 3   | Type-C       | Type-C interface to connect PC with device when in wired meeting mode.   |
| 4   | MIC          | Reserved interface.  |
| 5   | LAN          | Network port 10 MB / 100 MB / 1000 MB adaptive, interacting with the downstream device network.                |
| 6   | HDMI OUT 1/2 | HDMI output interface 1 and 2, supporting connecting to screens, and displaying the same page on both screens. |

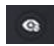



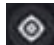
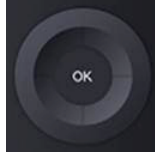


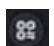

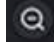
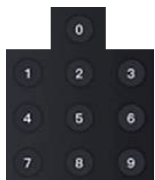
|   |         |   |
|---|---------|---|
| 7 | HDMI IN | HDMI input interface, connecting to the local sharing page.             |
| 8 | USB     | USB 2.0 interface, connecting to USB flash drive, mouse, keyboard, etc. |
| 9 | DC 12V  | DC 12V power input interface, connecting to the equipped power adapter. |

### 1.3 Remote Control



Figure 1-4 Remote Control

Table 1-3 Button Description

| Icon  | Button Description  |
|---|---|
|    | Turn on/off privacy mode (effective when turning on the camera)   |
|    | Turn on/off audio Bluetooth   |
|    | Shortcut key for volume   |
|    | Mute/Unmute microphone  |
|    | Go to the HDMI OUT resolution switch page   |
|    | Electronic Pan Tilt quick control   |
|   | Return  |
|  | Menu  |
|  | Switch Mode (smart view, smart tracking, smart gallery, etc.)   |
|  | Zoom in   |
|  | Zoom out  |
|  | Numbers 0 to 9.<br>In manual mode, you can long press 1 to 5 to set presets, and then press 1 to 5 to call the corresponding preset in camera preview page. |

### 1.3.1 Indicator Status Description

- Steady red: indicates that the device is in standby.
- Steady white: indicates that the device is working normally.

### 1.3.2 Remote Control Pairing

 **Caution**

- The remote control is used with All-in-One Video Bar and cannot be mixed with other devices.
- The distance between the remote control and the device is 5 m. The device cannot be controlled beyond this distance.
- Please use a 1.5 V battery. Batteries of other specifications may fail to pair due to insufficient battery power.

The remote control has been paired at the factory. If you need to pair a new remote control, the specific operations are as follows:

Step 1 Press and hold  and  at the same time.

Step 2 When the indicator light flashes at high frequency, release the buttons. The remote control and the device are pairing. When pairing, the indicator light changes from high-frequency flashing to constant on, and finally goes out. When the device prompts "Remote control connected" on the screen, the remote control and device are paired successfully.

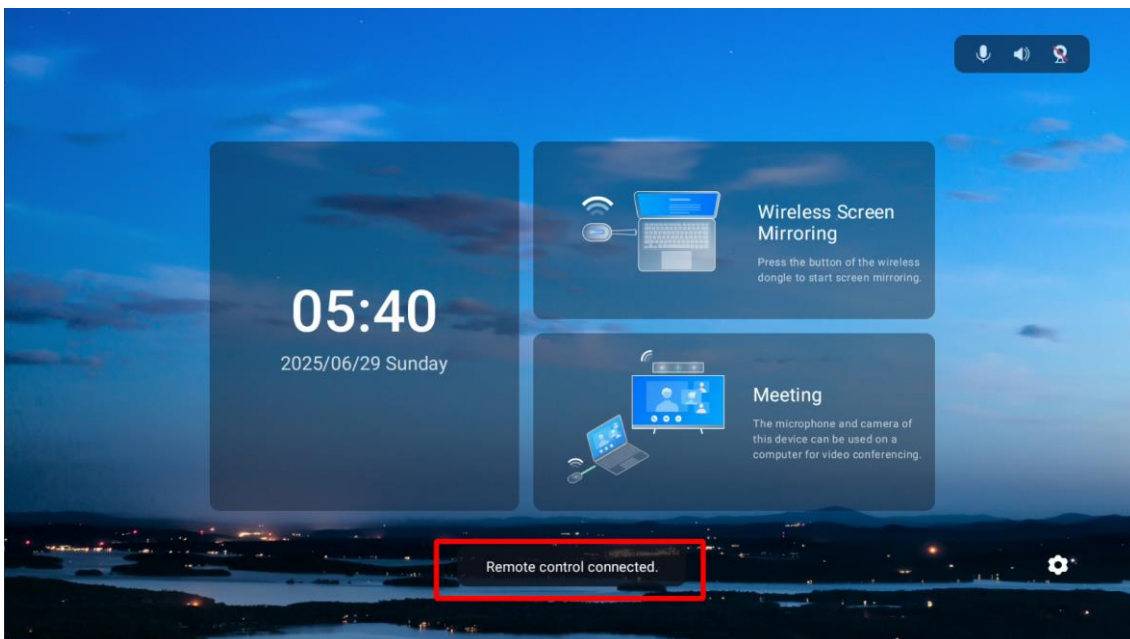


Figure 1-5 Remote Control Connected

Step 3 Operate the device with remote control.

 **Note**

If the pairing of the remote control and the device fails, you can press any button on the remote control to solve the problem according to the information displayed by the indicator light.

- When the indicator light flashes several times, it is recommended to restart the device and pair it again.
- When the indicator flashes once, the remote control may be connected to other devices. Find the connected device, cancel the connection, and then pair the device again. If the pairing still fails, it is recommended to restart the device to pair again.

## Chapter 2 Installation

### 2.1 Installation Description

The All-in-One Video Bar is equipped with wall-mounted bracket. You can place the device on the table or install on the wall.

#### 2.1.1 Place on the Table

Place the device directly on a horizontal table, and adjust the base as you need.

 **Note**

Please keep the table steady. The front of the device cannot be obstructed.

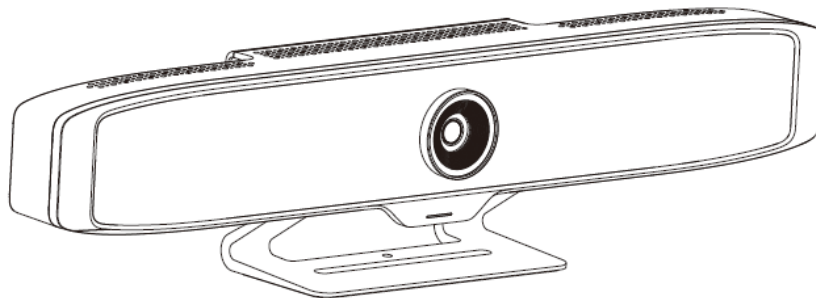


Figure 2-1 Place Device on the Table

#### 2.1.2 Wall Mounting

The device can be mounted on a designated wall with the wall mounting bracket.

 **Note**

The device can be installed in the conference room. The recommended installation height is 1.2 m–1.6 m, at which the whole conference room can be viewed.

The accessories need to be replaced when the device is wall-mounted. The precautions are as follows.

---

 **Caution**

- Before replacing accessories, make sure that the worktable is clean and tidy to avoid external or structural damage to the device caused by dirt or sharp objects.
  - Before replacing accessories, please unplug all external cables of the device. Please protect the lens from impact or falling to prevent damage to the device.
-

- Please keep the replaced accessories properly to avoid loss.

**Steps**

Step 1 Remove the device desk mounting base.

- 1) Loosen the 2 decorative cover screws (①) on the device desk mounting base and remove the decorative cover.
- 2) Remove the 8 rotating shaft screws (②).
- 3) Remove the desk mounting base (③).

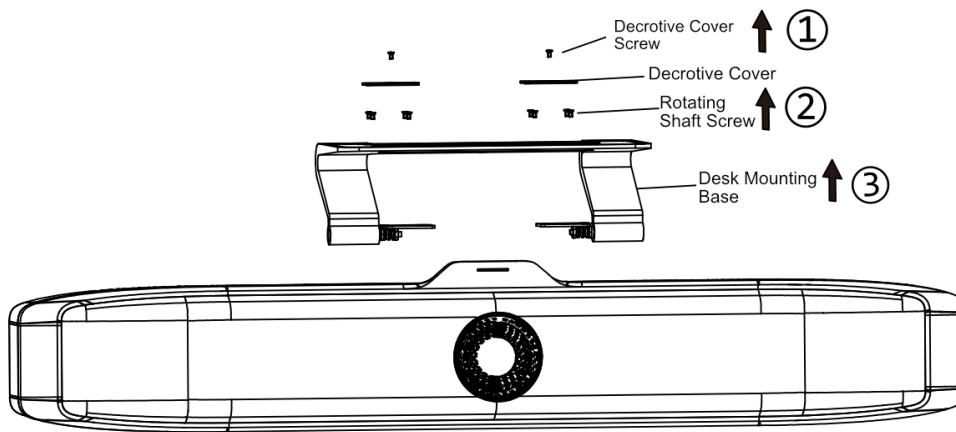


Figure 2-2 Remove Desk Base

Step 2 Loosen the hand screws (①) on both sides of the wall mounting bracket, and split the wall mounting bracket into the wall mounting bracket base (②) and the wall mounting bracket assembly (③).

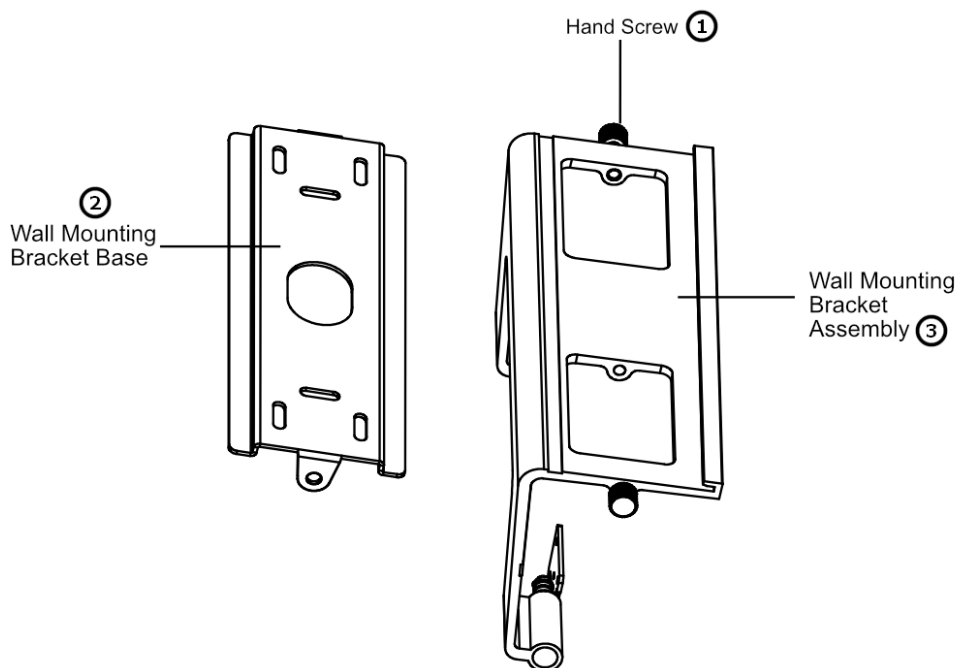


Figure 2-3 Remove Wall-Mounting Bracket

Step 3 Install the wall mounting bracket assembly (①) onto the device, fix it with 8 shaft screws (②). Install the decorative cover, and tighten the decorative cover screws (③) to fix it.

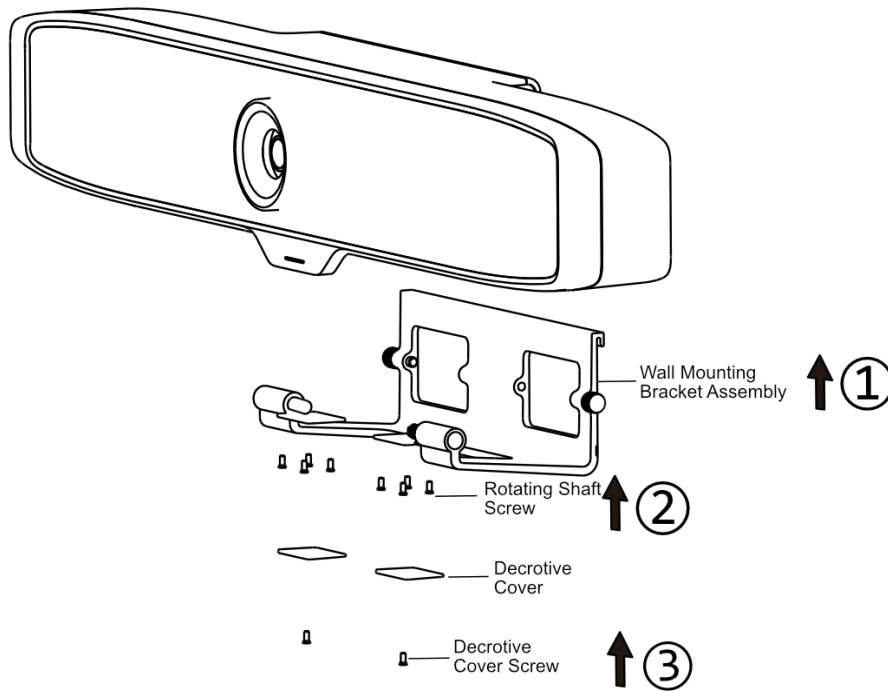


Figure 2-4 Install Wall-Mounting Bracket Assembly

Step 4 Select the appropriate installation wall to open a hole and embed the expansion pipe into the hole (size of the expansion pipe bottom hole in the wall:  $\phi$  5.5 mm, depth  $\geq$  25 mm).

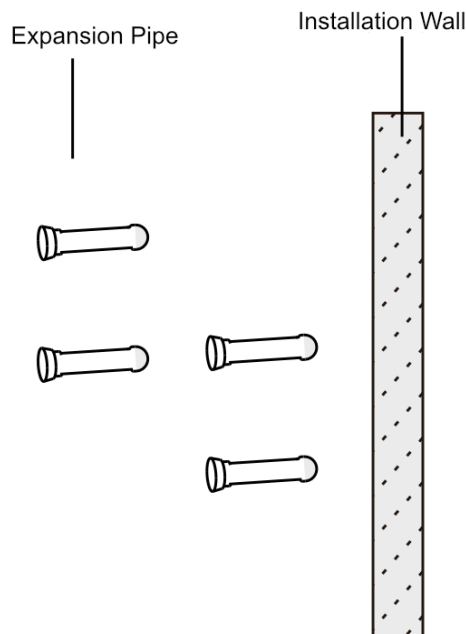


Figure 2-5 Open A Hole and Embed the Expansion Pipe

Step 5 Align the mounting holes of the wall mounting bracket base with the openings on the wall, and use self-tapping screws to fix the wall mounting bracket base to the wall.

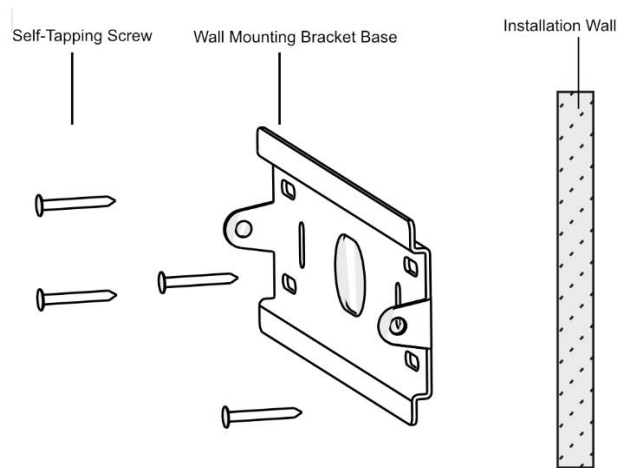


Figure 2-6 Install Wall Mounting Bracket Base

Step 6 Place the wall mounting bracket assembly on the wall mounting bracket base, and tighten the hand screws on both sides until they are fixed.

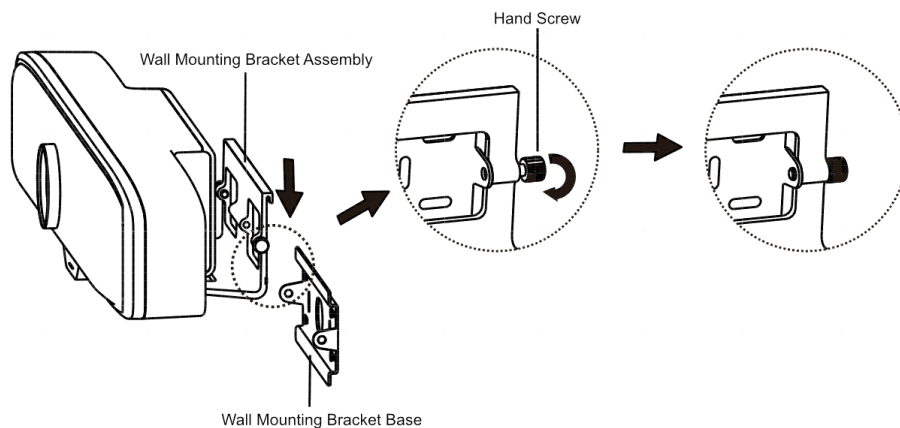


Figure 2-7 Fix the Device

## 2.2 Connection Description

After the device is installed steadily, you can start connecting screens, mouse and so on with the device.

### Steps

Step 1 Find **DC 12V** interface on the right of the device, and connect with the power adapter.

Step 2 (Optional) Find **USB** interface on the right of the device to connect the mouse or keyboard.

Step 3 Find **HDMI OUT 1/2** interface on the right of the device, and use a HDMI cable to connect with a screen. After all connections, the device will start up, and you will see the main page.

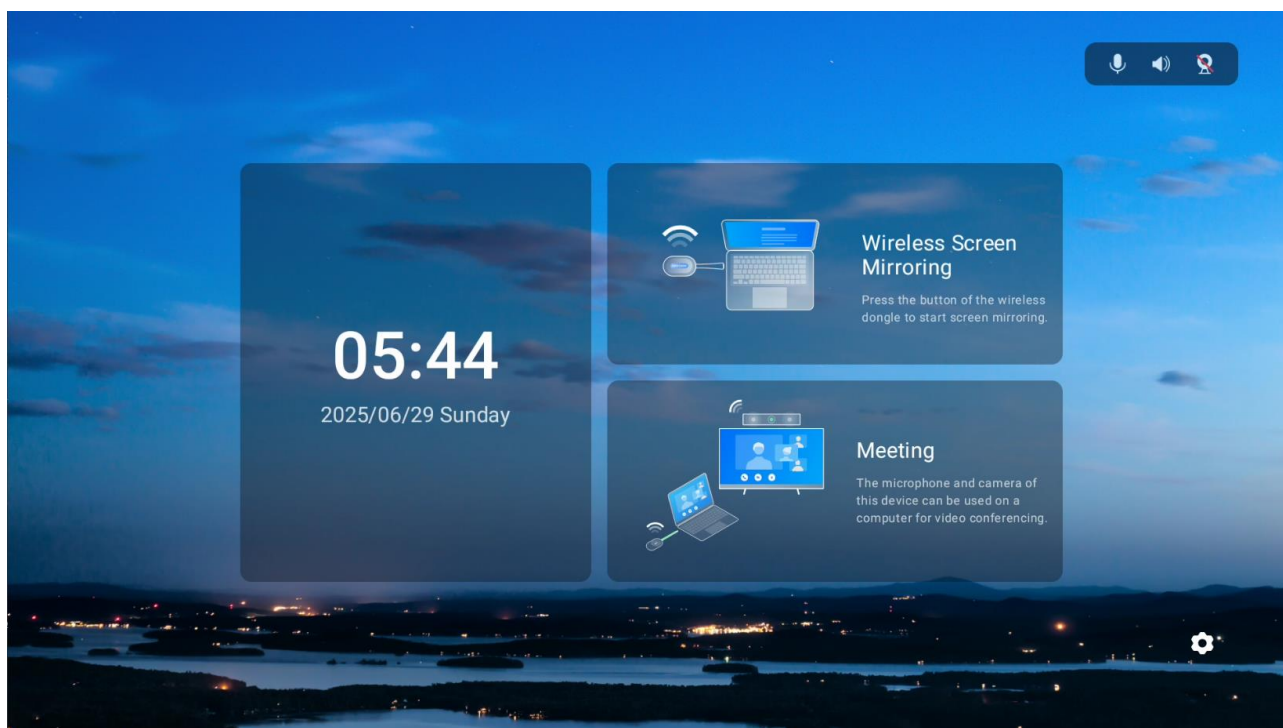


Figure 2-8 Device Main Page

 **Note**

The **HDMI OUT 1** interface as the main output interface is firstly recommended to be used.

## Chapter 3 Screen Mirroring

### 3.1 Wireless Dongle Screen Mirroring

Through a wireless Dongle, the screen of your PC can be mirrored to the screen connected to the device.

#### Note

When the wireless dongle detects a new version, it will automatically upgrade (which may take a long time). Do not pull out the wireless dongle during the upgrade process.

#### Steps

Step 1 Insert the wireless dongle into the USB Type-C or Type-A port of the device, and the wireless dongle will be paired with the device automatically.

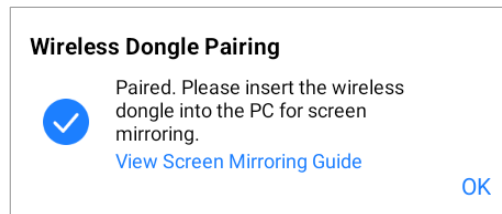


Figure 3-1 Wireless Dongle Paired

#### Note

- After inserting the wireless dongle into the device, you will see “Wireless dongle detected” on the screen in around 5 seconds, and later you will find “Wireless Dongle Pairing” prompted on the screen.
- If “Pairing failed” is prompted, please unplug and insert the wireless dongle again.
- Do not unplug the wireless dongle while pairing.

Step 2 After paired with device, unplug the wireless dongle and connect it to the USB Type-A or Type-C port of your PC, and the PC will automatically run ScreenCast.

#### Note

- Running ScreenCast may vary on different models of the PC. If your PC does not run ScreenCast automatically, please go to My PC→Dongle Disk→ScreenCast.exe to run it manually (operations in Windows 10 for example).
- If you want to mirror the screen with 4K resolution, please connect the wireless dongle to the USB Type-C port (supporting DP output) of your PC.

Step 3 After the prompt "Connected" appears on the PC, you can mirror your screen by pressing the button on the wireless dongle. Press again to stop mirroring.

 **Note**

For more details, you can scan the QR code or click the link in “**3.2 WonderCast Screen Mirroring**” to find WonderCast User Manual.

## 3.2 WonderCast Screen Mirroring

You can click **Wireless Screen Mirroring** to find the function guides, and mirror your PC or mobile phone on the screen according to the description. Please scan the QR code or click the link below to see the user manual.



Figure 3-2 [WonderCast User Manual](#)

 **Note**

Functions of WonderCast may vary on different device models. Please refer to the actual situation of the application.

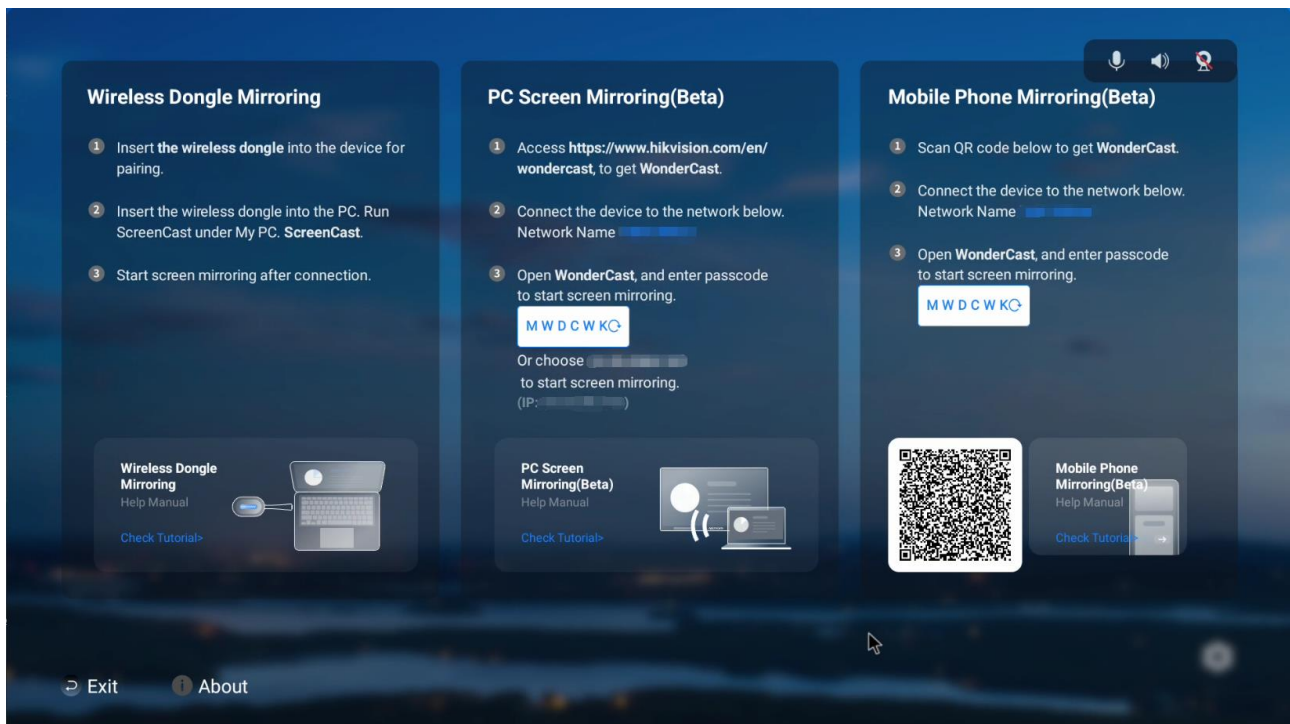


Figure 3-3 WonderCastServer

## 3.3 Meeting

With Meeting function, you can choose to use the camera and microphone of the device during the video conferencing on your PC.

### 3.3.1 Wireless Meeting

Click **Meeting** on the main page. You can find the function guides on the left for wireless meeting in the video conferencing.

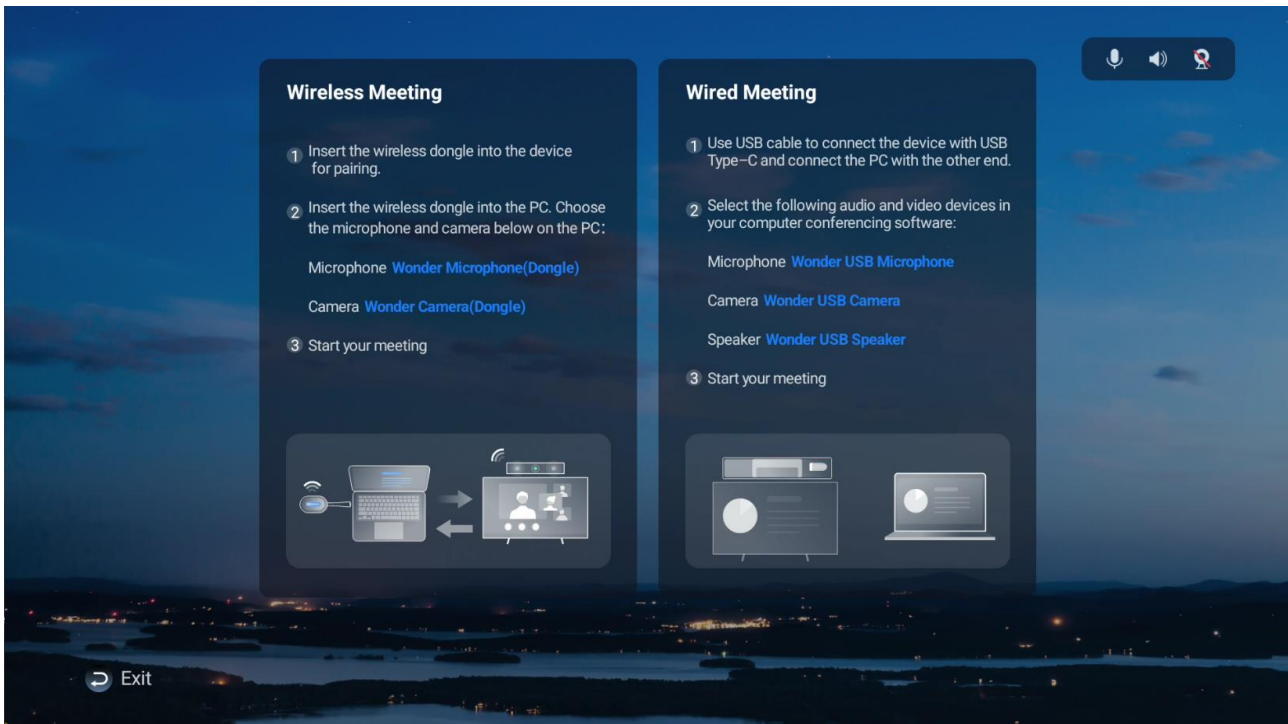


Figure 3-4 Meeting Function Guide

### 3.3.2 Wired Meeting

#### **Steps**

Step 1 Use USB cable to connect the device with USB Type-C and connect the PC with the other end.

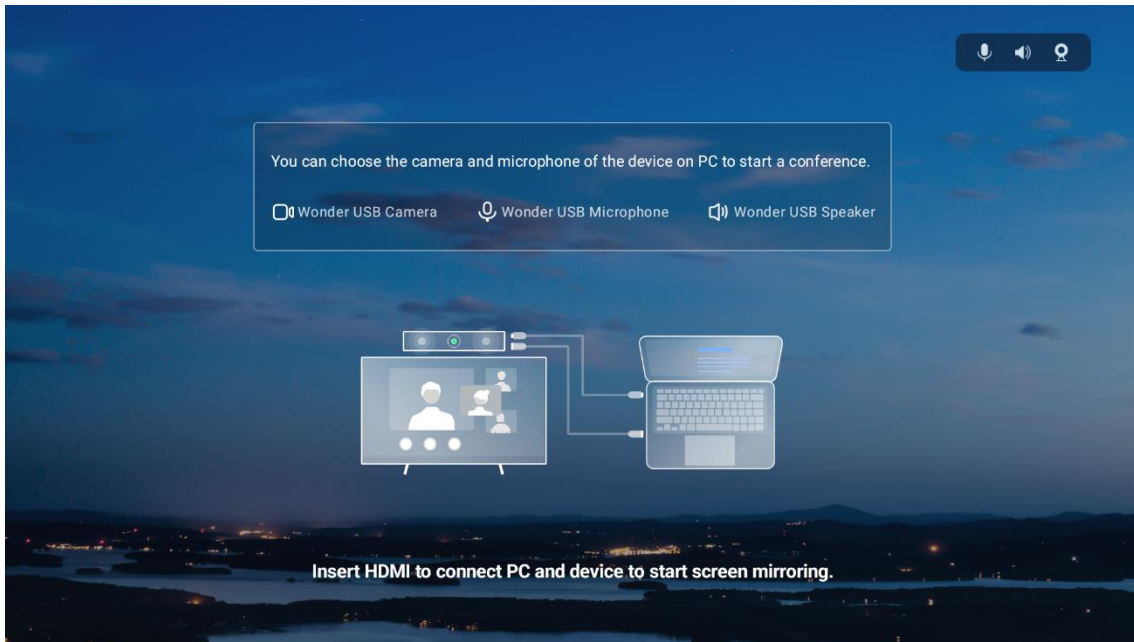


Figure 3-5 Connect PC and the Device with USB Type-C

Step 2 Choose **Wonder USB Camera/Microphone/Speaker** in your conference. The camera, microphone, and speaker of the device will be used during your video conferencing.

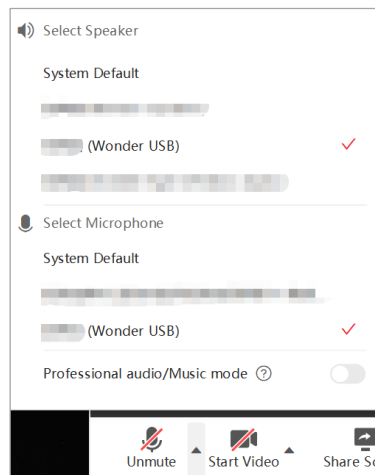


Figure 3-6 Choose Wonder USB Speaker/Microphone

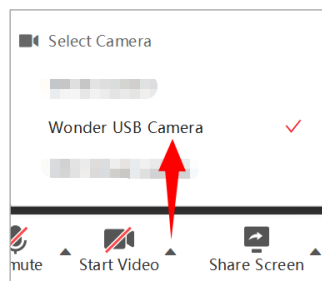


Figure 3-7 Choose Wonder USB Camera

Step 3 (Optional) Find **HDMI IN** interface on the right of the device, and connect PC and the device with a HDMI cable to start screen mirroring.

 **Note**

- If you only need to mirror the screen image, connect your PC to the device using an HDMI cable instead of a USB cable.
- Wireless meeting has higher priority than wired meeting:
  - 1) If you already start a conference with wireless meeting function, wired meeting function will not be performed even with USB/HDMI connection.
  - 2) If you already start a conference with wired meeting function, when wireless dongle is connected, the conference will switch to wireless meeting.
  - 3) In wireless meeting mode, if you connect your PC to the device using a USB/HDMI cable, when exiting wireless mode, the conference will enter wired meeting mode automatically.

## Chapter 4 System Settings

Please scan the QR code below to check details.



Figure 4-1 All-in-One Video Bar User Manual



See Far, Go Further