

DS-UVC-P22 2 MP Video Conference Camera



- 2 MP (WDR) CMOS
- High quality imaging with 1920 × 1080 resolution
- Adopt a zoom low-distortion lens with equivalent focal lengths ranging from 23.1 mm to 277.2 mm, auto focus, 12× optical zoom, and 4 × digital zoom
- Support smart functions, including human body following and face focus
- Dual-microphone built into the camera with clear sound
- Support adjusting related parameters via remote control. Support setting up to 5 custom scene presets
- USB Type-C interface, supporting USB 2.0 protocol, plug-and-play, no need to install driver software
- Compatible with multiple mainstream communication software

▪ Specification

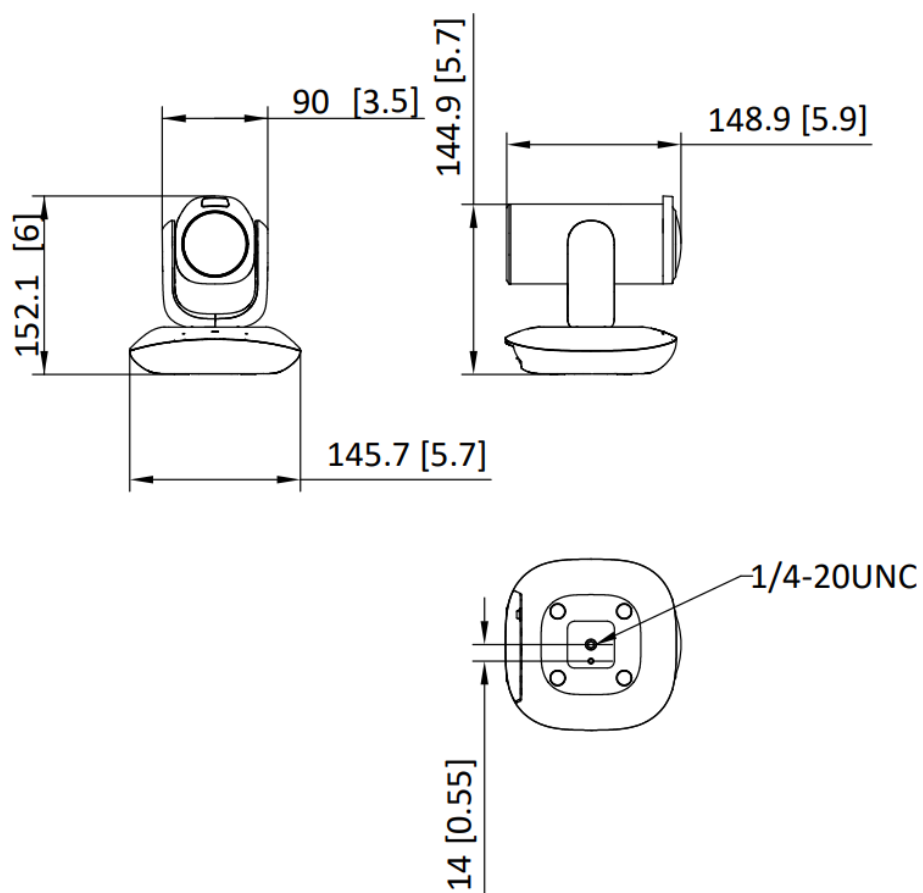
Camera	
Image Sensor	1/2.8" 2 MP CMOS
Max. Resolution	1920 × 1080
USB Output	MJPG: 1920 × 1080, 1280 × 960, 1280 × 720 @60/50/30/25 fps H.264: 1920 × 1080, 1280 × 960, 1280 × 720, 640 × 480, 640 × 360 @60/50/30/25 fps YUY2/NV12: 1920 × 1080 @5 fps 1280 × 960 @10 fps 1280 × 720 @15 fps 640 × 480, 640 × 360 @30/25 fps
Shutter Time	PAL: 1/25 s to 1/10,000 s, NTSC: 1/30 s to 1/10,000 s
Object Distance Range	Wide: 0.1 m to ∞, Tele: 1.5 m to ∞
Optical Zoom	×12
Digital Zoom	×4 (YUV Format: ×1.5)
Angle Adjustment	Pan: -165° to 165°, Tilt: -30° to 30°
Lens	
Focal Length & FOV	Varifocal lens: 3.4 mm to 40.8 mm, equivalent focal length: 23.1 mm to 277.2 mm Horizontal FOV: 80.5° to 7.6°, vertical FOV: 50.5° to 4.4°, diagonal FOV: 88.9° to 8.7°
Focus	Auto/Semi-auto mode, supporting selection of focus area
Microphone	
Type	MEMS
Polar Pattern	360° omni-directional
Pickup Distance	In a radius of up to 5 m
Amount	Dual-microphone
Frequency Response	100 Hz to 8 kHz
Sensitivity	-32 ± 3 dBV/Pa
SNR	70 dB(A)
Sampling Rate	16 kHz/32 kHz/48 kHz
Functions	
Image Function	Support adjustment of related parameters such as exposure, white balance and image settings (including image DNR, contrast, sharpness, saturation, hue, Gamma, etc.)
Audio Function	Support steady and transient smart noise reduction, automatic gain control, echo suppression, time domain equalization algorithm, ambient noise suppression and enhanced vocals to enhance speech quality and offer audio in high quality
Smart Function	Support human body following and face focus
LED Indicator	Device startup: solid white -> flashing white -> solid white Device working: solid white Device mute: solid red Device shutdown: light off
Communication	
Communication Method	Camera and remote control: 2.4G wireless

Wireless Communication Distance	Camera and remote control: 10 m
Image	
Wide Dynamic Range (WDR)	≥120 dB
Interface	
USB	1 USB Type-C interface (for transmitting audio and video), supporting USB 2.0 protocol
Audio	1 audio input (line in), 3.5 mm three-segment TRS interface 1 audio output (line out), 3.5 mm three-segment TRS interface
Power Interface	12 VDC, Ø2.1 mm
Compatibility	
System Requirement	Operating System: Windows 7/8/10/11 Android 8.1 and above version Linux 4.14 and above version macOS 10.12 and above version
General	
Power	12 VDC ± 25%, max. 15.9 W
Operating Condition	-10 °C to 45 °C (14 °F to 113 °F). Humidity 90% or less (non-condensing)
Dimension	148.9 mm × 145.7 mm × 152.1 mm (5.86" × 5.74" × 5.99")
Package Dimension	308 mm × 216 mm × 187 mm (12.13" × 8.5" × 7.36")
Weight	Approx. 1185 g (2.61 lb.)
With Package Weight	Approx. 2705 g (5.96 lb.)
Packing List	Camera (including lens cover) × 1 Remote Control × 1 Power Adapter (1.2 m) × 1 Power Adapter Extension Cable (3 m) × 1 USB 2.0 Cable (4.5 m) × 1 Bracket × 1 Screws × 1 Battery × 2 Regulatory Compliance and Safety Information × 1

▪ Available Model

DS-UVC-P22

▪ Dimension



Unit: mm [inch]

SCALE	1:1
-------	-----

See Far, Go Further



www.hikvision.com
support@hikvision.com

