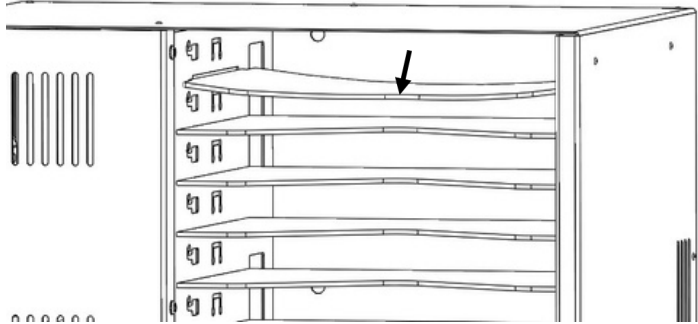


IBank 16 Instructions- 7730 and 7731

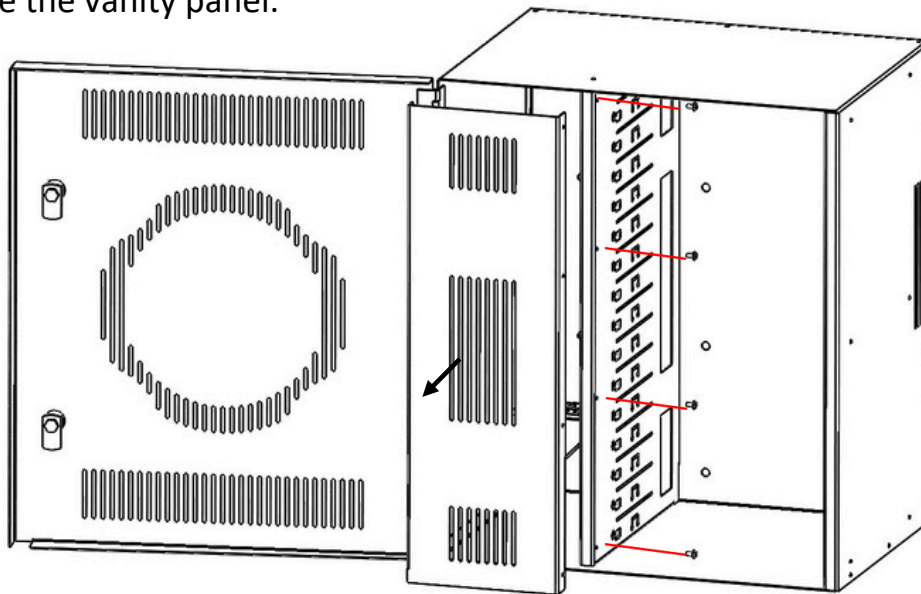
Wall Mounting

If you are not mounting your cabinet on a wall, please move on to the cabling instructions.

1. To access the fixing holes in the back of the cabinet gently flex the shelves down and remove them.

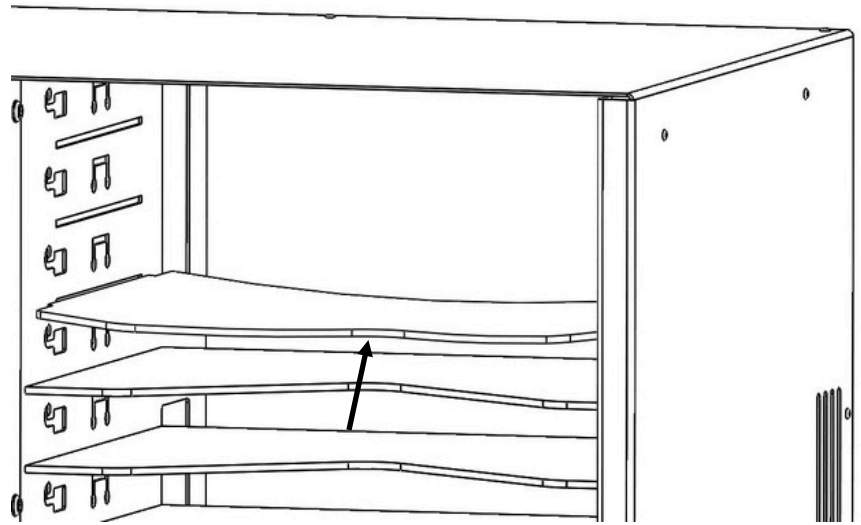


2. Unscrew the four bolts indicated and remove the vanity panel.



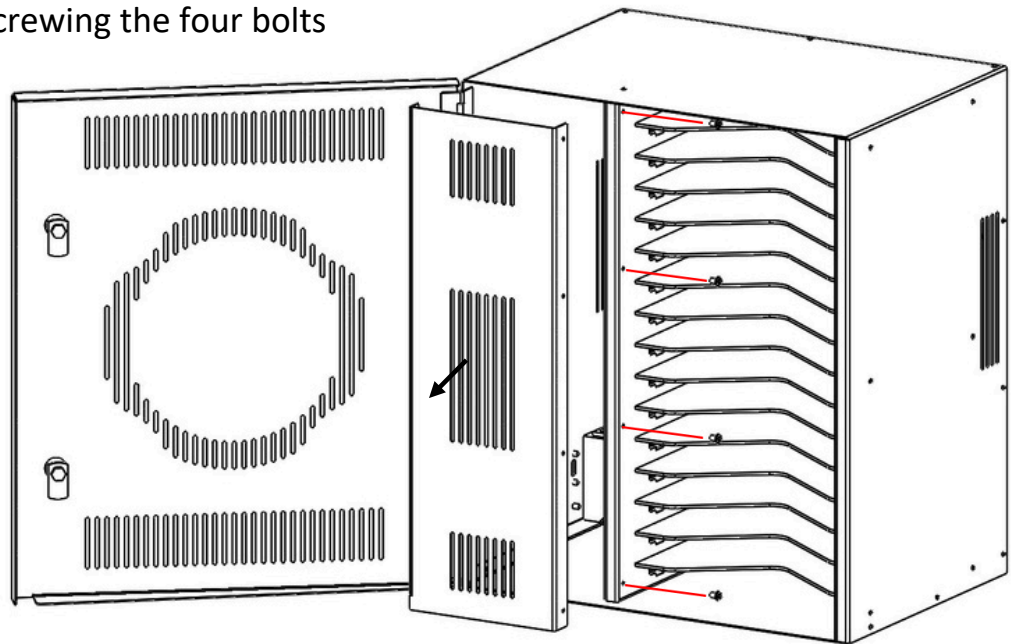
3. Mark the holes for the fixings on the wall and drill the holes.
4. Mount the IBank to the wall using fixings appropriate for the wall.

5. Once the IBank has been secured to the wall gently flex the shelves and put them back into place.

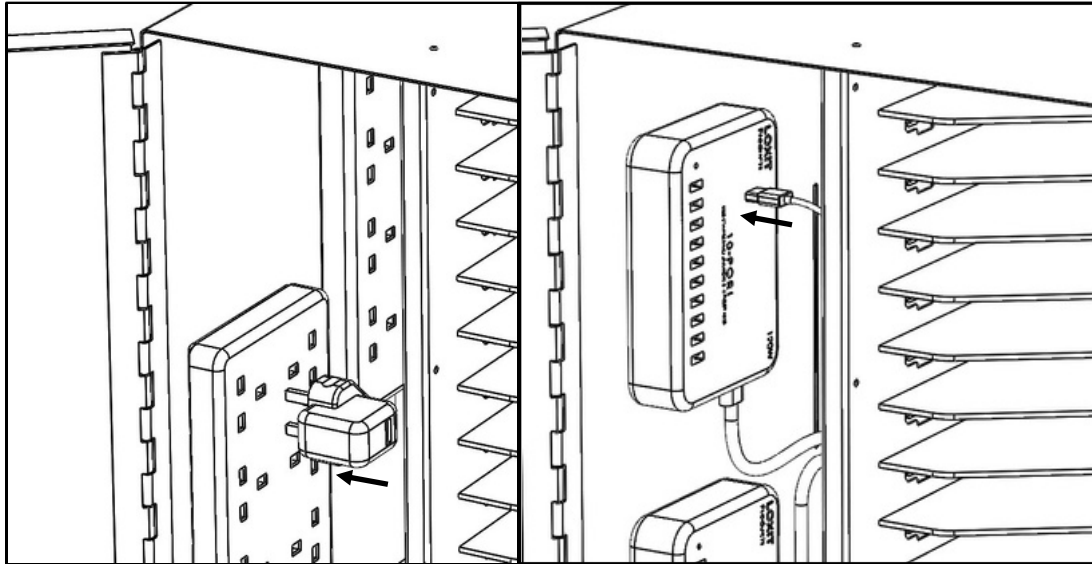


Cabling

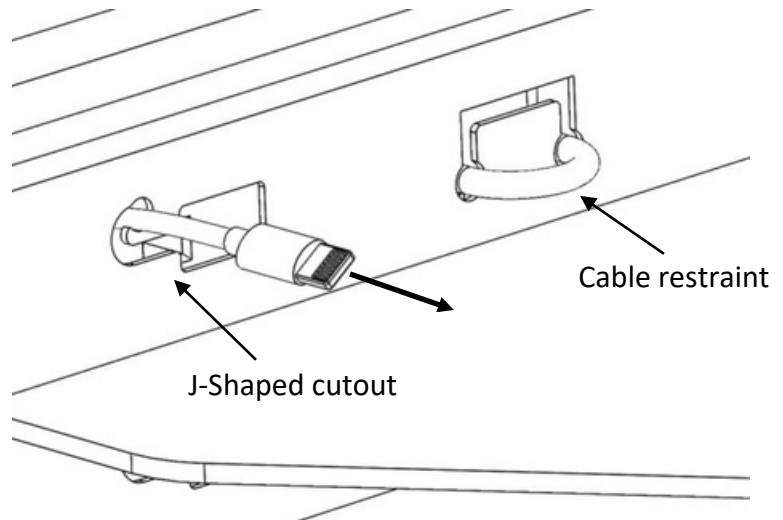
1. If you have not already done so, Remove the vanity panel by unscrewing the four bolts indicated.



2. Insert a charger into the power strip or a USB lead into the Loxit USB charger, depending on your IBank model.



5. Loop the charge cable through the cable restraint cutout as shown, then pass the cable through the J-shaped cutout and feed it through.



4. Repeat steps 2 and 3 until all the cables are in place.

3. Bolt the vanity panel back into place using the four bolts.

The installation of your IBank 16 is now complete