

## Hi Lo 450– Electric Wall Mount 8800

**-Maxcapacity 50kg    -Screens upto 75”**

**WARNING ! THIS IS NOT A TOY !**

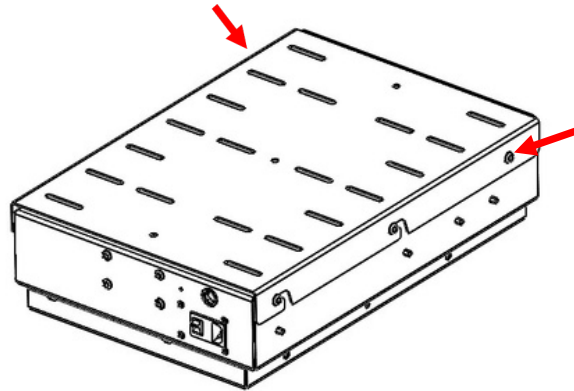
**WARNING ! CHILDREN SHOULD NOT OPERATE LIFT OR HAVE ACCESS TO THE OPTIONAL REMOTE CONTROL !**

### **Safety instructions**

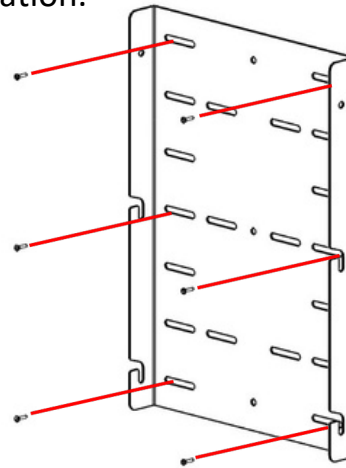
Use the following safety guidelines to help protect your lift from potential damage and to ensure your own personal safety.

- Read all the installation instructions before testing or installing your lift.
- The area below moving parts of the lift and screen **MUST** be kept clear of obstructions.
- Keep the optional remote control out of reach of children.
- To prevent bodily injury, keep hands and clothing away from the lift while the lift is in operation.
- Before installing the lift or working with its connections, unplug the lift from the mains power supply socket
- Do not place the lift in places subject to extreme temperatures for example near a radiator, or heating vent.
- The Electric lift must only be mounted in a dry area and it must be ensured before use that the lift is safe or protected from liquid contact or spillage.
- Unplug the lift **IMMEDIATELY** in the following conditions:
  - When the power cord or plug is damaged or frayed.
  - If liquid has spilled into the lift.
  - If the lift has been exposed to rain or water.
  - If the lift exhibits a distinct change in performance, indicating a need for servicing.
- **MANUFACTURERS** who build this Lift into other products or use it with other products, **MUST** make sure to prevent bodily injury. The **MANUFACTURER** is responsible to give the end user proper warnings and instructions for use.
- When adding a TV or any other equipment the party adding this TV or equipment is responsible for stability and security.

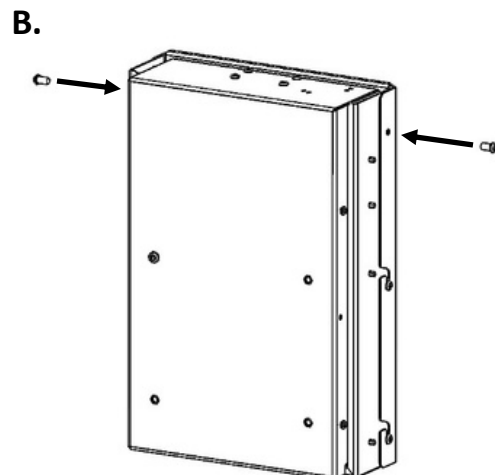
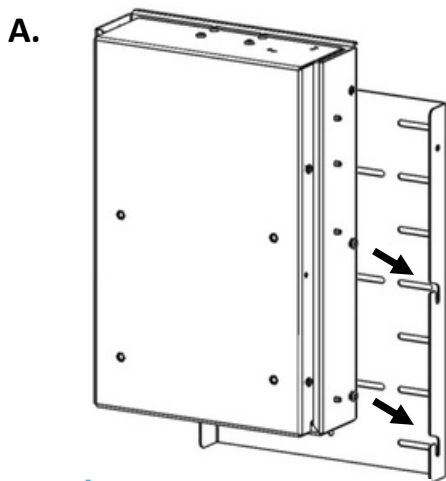
1. Remove the two top M8 bolts indicated (both sides) on the mount and unhook the lift from the wall mount.



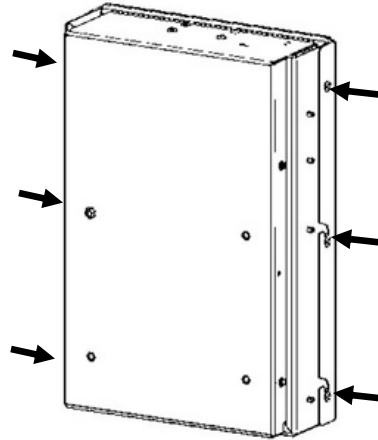
2. Fix the wall mount to the wall in your chosen location.



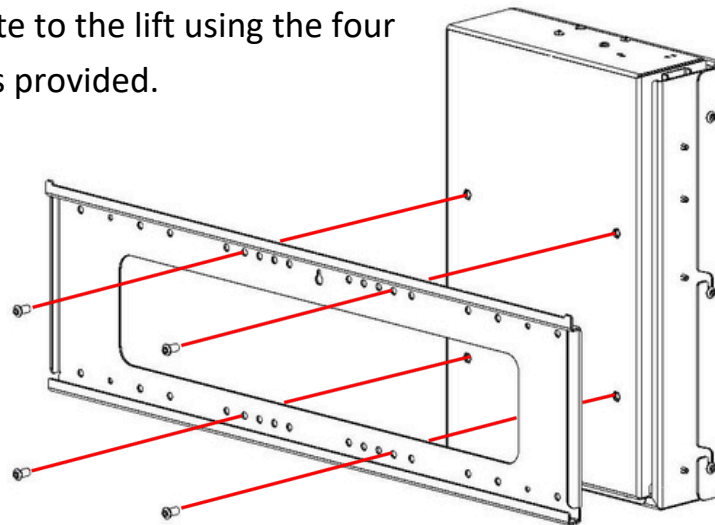
3. **A.** Hook the lift unit onto the wall mount,  
**B.** Fix the mount in place using the two M8 x 16mm bolts removed in step one.



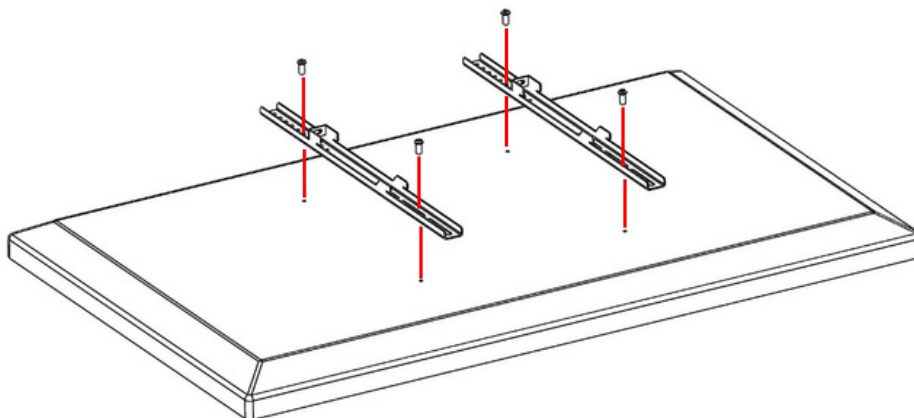
4. Tighten all six M8 bolts fixing the lift to the wall mount (3 per side).



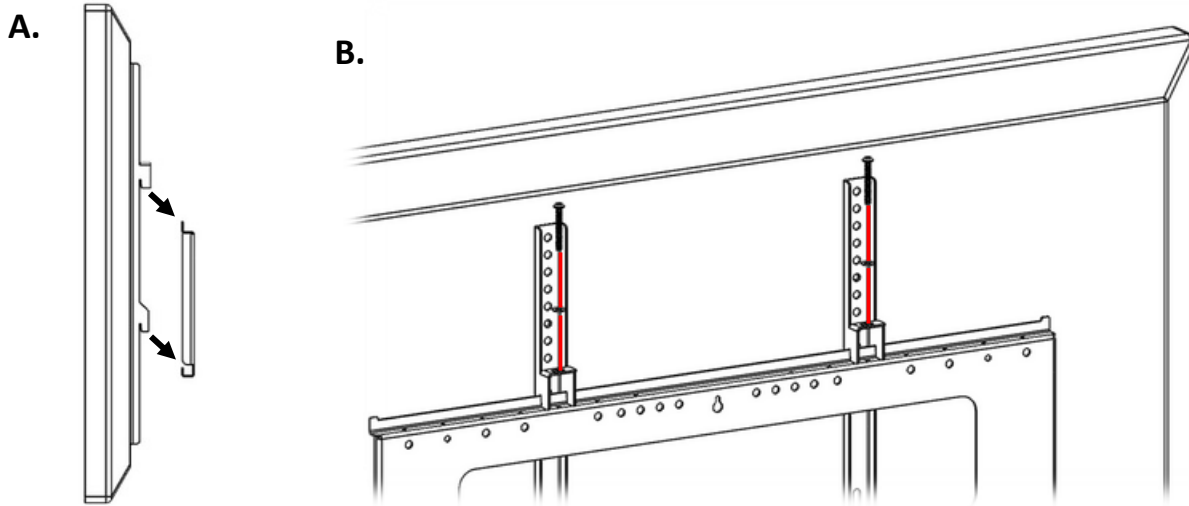
5. Fix the mount plate to the lift using the four M8 x 16mm bolts provided.



6. Fix the screen to the brackets using fixings of appropriate size and length for your screen.



7. **A.** Hook the screen and the brackets onto the mount plate, check that both brackets are hooked securely onto the rails.  
**B.** Use the M5\*50mm bolts with washers to secure the hangers to the wall plate.



8. The wall mount is now fully installed and can be operated using the wired control.