

## Multi Position Fixed Height – Slimline Wall to Floor 8990

- Maximum Weight Capacity 130kg    -Maximum ScreenSize 95in

-Tilt 0-10 degrees



### WARNING

#### Safetyinstructions

Do not attempt to install or use this product until all the instructions and warnings have been read and understood. Please retain these instructions for future reference.

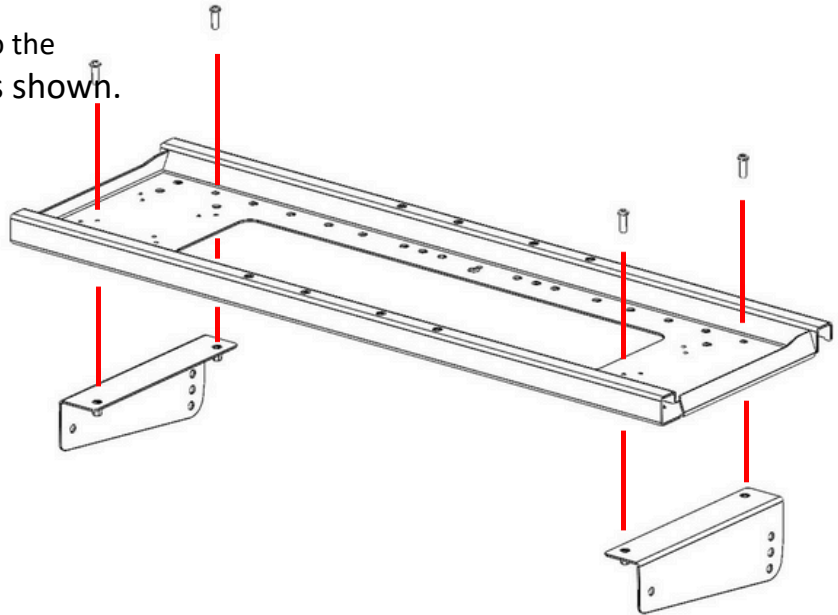
Failure to follow these instructions may result in accident leading to serious injury or death.

Failure to follow these instructions may result in the product being damaged or destroyed and the warranty voided.

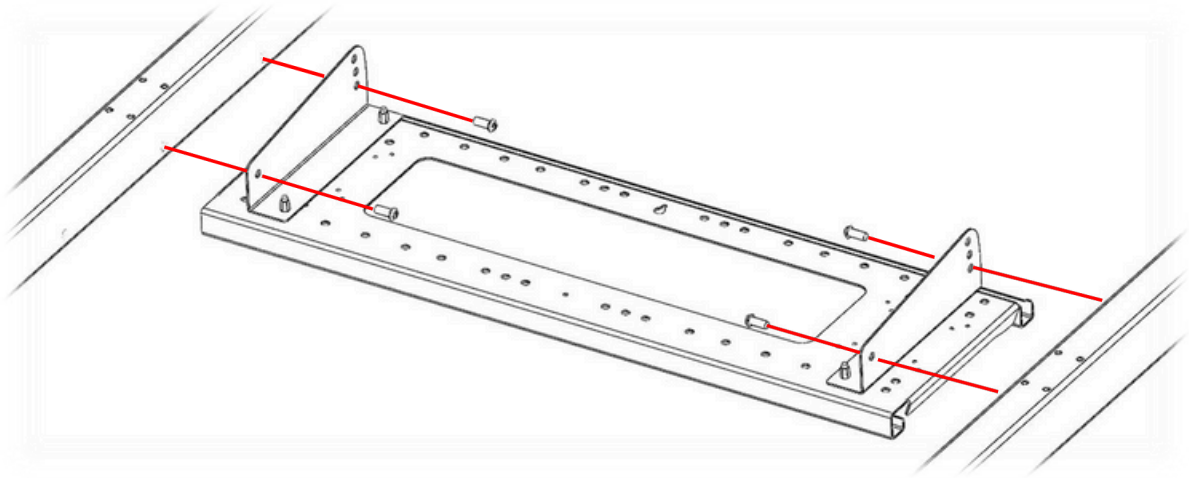
Loxit Products Ltd is not responsible for injury or damage caused by improper installation, improper usage or failure to follow these instructions.

- Never exceed the maximum weight and/or screen size indicated. The use of equipment exceeding the maximum weight and/or screen size may cause instability and/or product failure.
- It is the responsibility of the installer to ensure that the wall and the fixings used are capable of safely bearing the load of the product and any equipment installed on it.
- The product must only be used on a floor which is hard, flat and level.
- All adjustable feet must be in full contact with the floor to prevent stability issues.
- The floor surface the product is installed upon must be capable of safely bearing the weight of the product and any equipment installed on the product.
- Hitting, pushing/pulling or climbing on the product may result in damage and/or failure of the product and may cause the weakening and/or failure of the fixings used to secure the product to the wall and/or floor.
- Children must not be allowed to operate the product.
- The product must only be used indoors in a dry area and it must ensured before use that the product is safe or protected from liquid contact or spillage.
- Do not place the product in places subject to extreme temperatures, for example near a radiator or heating vents.

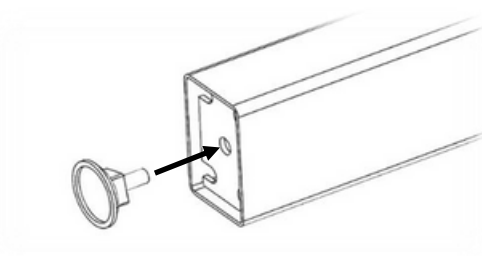
1. Fix the adjustable position brackets to the back of the VESA mount plate as shown.



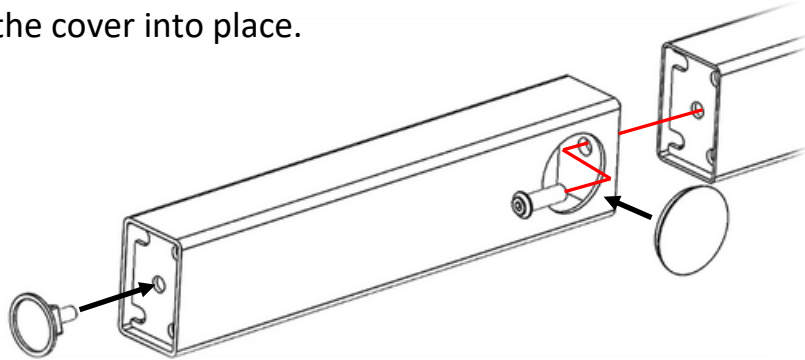
2. Bolt the legs into place with four of the M8 bolts provided. The angle of the mount plate may be set at 0, 5 or 10 degrees.



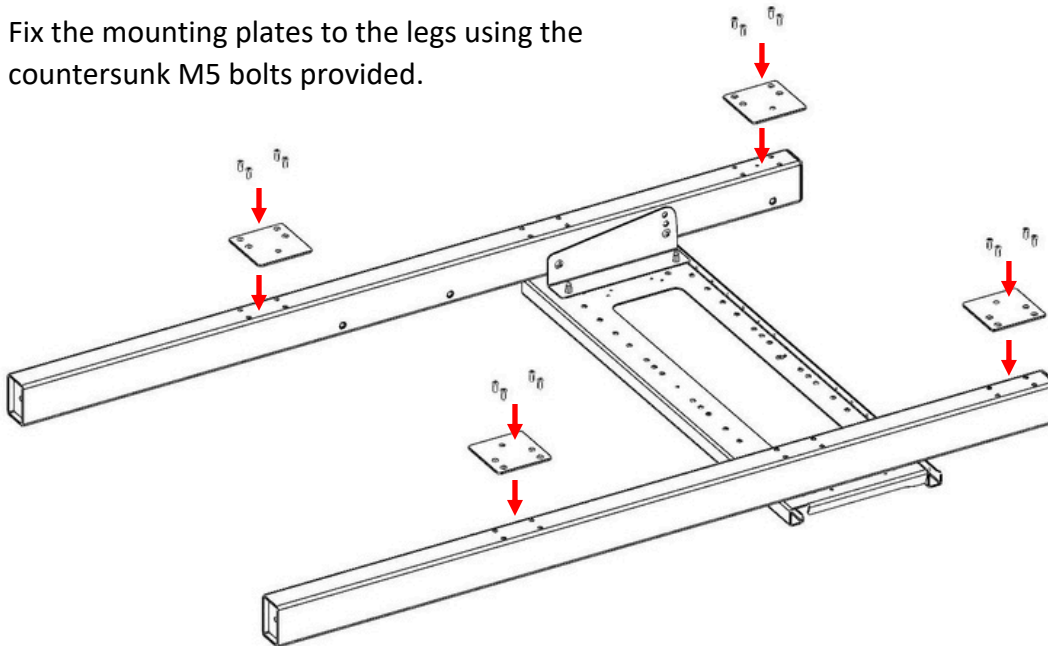
3. Screw an adjustable foot into the bottom of each leg. If using the optional extension legs please see step 3a.



- 3a. Secure the extensions in place using a M10 bolt, then thread in the adjustable foot and push the cover into place.



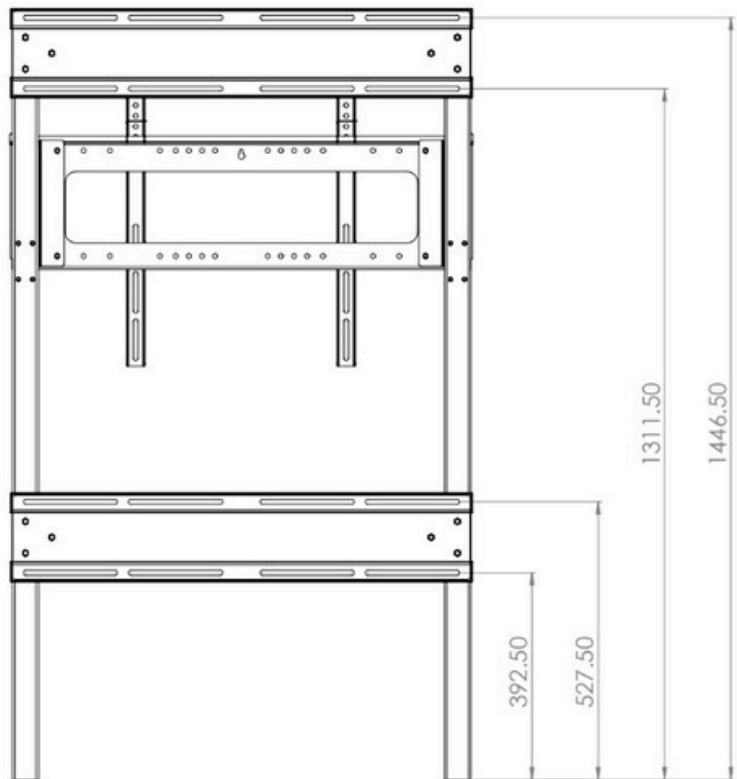
4. Fix the mounting plates to the legs using the countersunk M5 bolts provided.



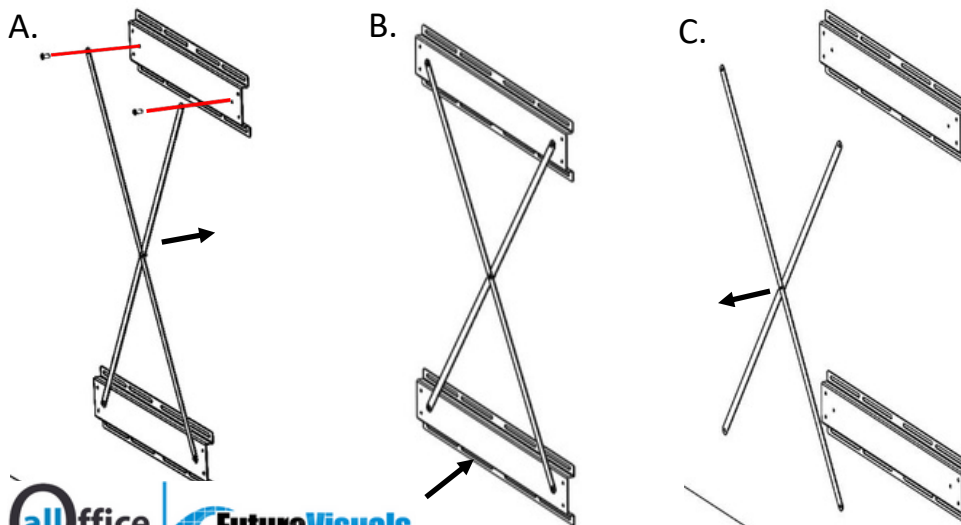
5. Fix the top mount to the wall using fixings appropriate for the wall. The diagram shows the distances from the fixing slots to the bottom of the legs as a guide.

Please note the dimensions given DO NOT include the adjustable feet

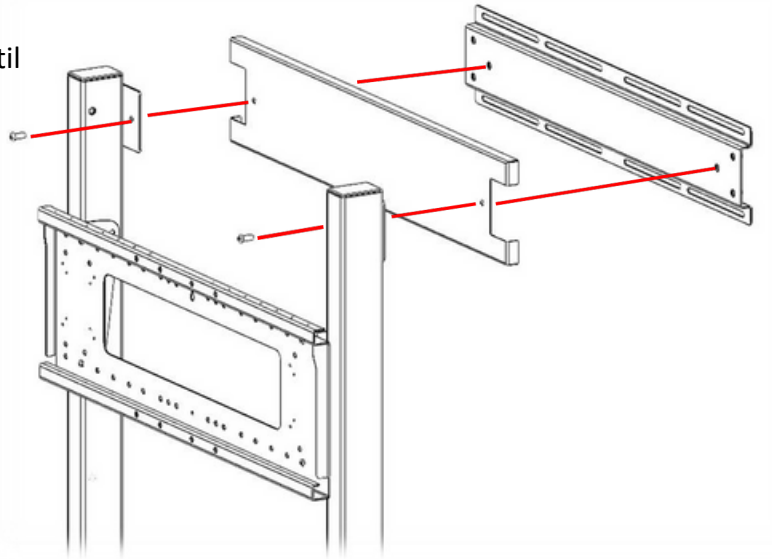
If using extension legs add 350mm to the dimensions.



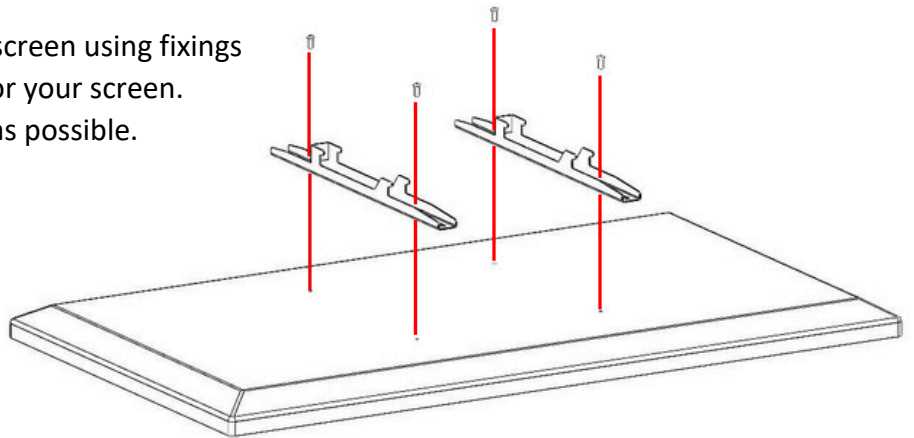
6. A. Bolt the cross members of the easy install kit to the remaining wall mount, then bolt it to the mount already on the wall.  
 B. Secure the lower mount to wall using the appropriate fixings.  
 C. Remove the cross members.



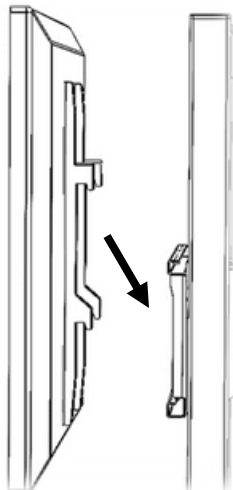
7. Bolt the mount and cover to the wall using four M8 bolts. Adjust the adjustable feet until they contact the floor.



8. Fix the brackets to the back of the screen using fixings of an appropriate size and length for your screen. Ensure the brackets are as central as possible.



9. Hook the screen onto the mount rail.



10. Secure the screen in place by fixing through the brackets into the mount plate, use the M5x50mm bolts and washers provided.

