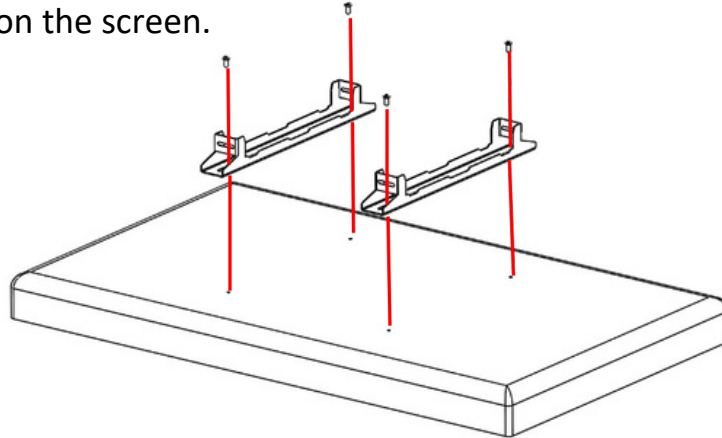
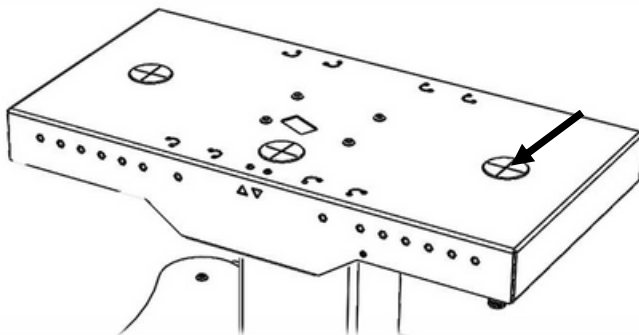


Fixed Height Nursery Table- 8525

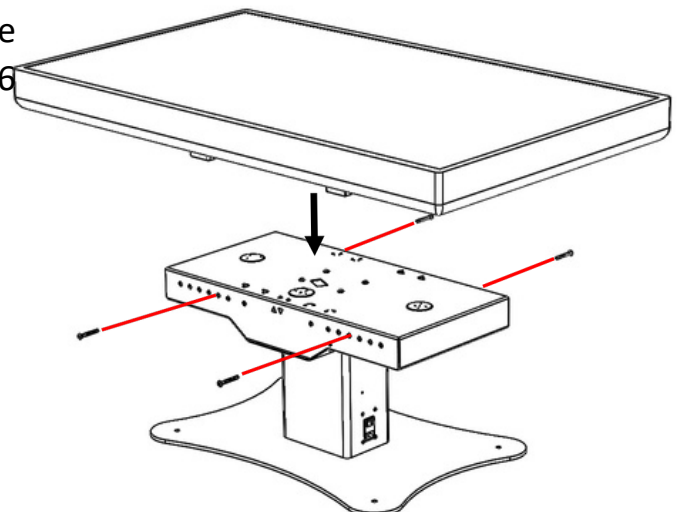
1. Bolt the hangers to the back of the screen, make sure the hangers are positioned centrally on the screen.



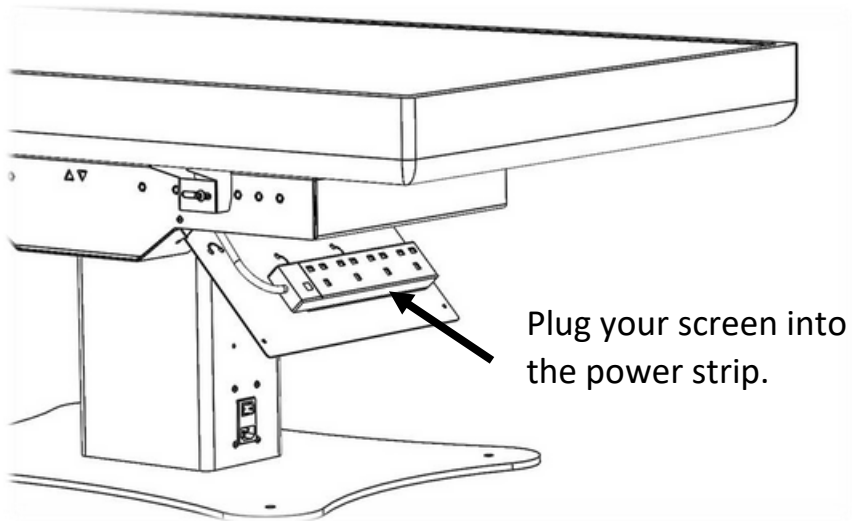
2. Pass the power cable for the screen through the grommet indicated, make sure the cable will not interfere with the screen mounts.



3. Carefully lower the screen onto the mount and secure in place using an M6 bolt on each side of both hangers.



4. To access the power strip, unscrew the thumb screws and open the hatch.



5. Close the hatch and secure in place using the two thumb screws.