



SMART Board® Mini 727 interactive podium



HDMI™
HIGH-DEFINITION MULTIMEDIA INTERFACE

Display	
Screen size (diagonal)	27" LED 16:9 4K UHD
Backlight	(3840 × 2160)
Aspect ratio	
Maximum display resolution	
Refresh rate	60 Hz
Brightness	400 cd/m ²
Glass	Optically bonded Anti-glare Anti-fingerprint
Display response time	14 ms
Viewing angle	178°
Frame color	Black
Sensors	Ambient light
Audio	Integrated enhanced 6 W speakers (×2) Integrated eight-microphone array with built-in acoustic echo cancellation

Interactive experience	
Touch technology	PCAP Palm rejection ≥1.5 mm
Touch features	10 points Stylus Magnetic
Minimum object size	holder, left and right
Multi-touch capability	
Tools included	
Tool holders	

Stylus	
Stylus technology	Microsoft Pen Protocol (MPP 2.0)
Stylus type	Active
Pressure sensitivity	4096 levels of pressure

Button	Mouse right-click function
Fine eraser	Yes
Indicator light	Charging Status
Material	Black aluminum
Charging	In-bezel charging

Camera	
Resolution	4K UHD (3840 × 2160)
Frame rate	30 Hz @ 4K resolution
Field of view	118°
Aspect ratio	16:9
Tilt range	-16–90°
Auto-focus	Yes
Digital zoom	5×, ePTZ
Privacy shutter	Integrated privacy shutter

PC computing	
OPS support	SMART PCM modules or AM60 appliance
PC module power supported OPS	65 W
Optional computing module	See smarttech.com/accessories



SMART Board Mini 727 interactive podium specifications

Inputs	Front	Side
OPS PC accessory slot	--	1 1
HDMI 2.1 4K @ 60 Hz with HDCP 1.4 and HDCP 2.3		
USB Type-C 4K @ 60 Hz Display Port 1.2, HDCP 2.3, 65 W power delivery	-	1
USB 3.0 Type-A		
USB 3.0 Type-B for touch ingest and peripherals	-	2
RJ45 (LAN IN)	-	1
	-	1

Outputs	Front	Side
HDMI 2.1 4K @ 60 Hz with HDCP 1.4 and HDCP 2.3	-	1
USB Type-C 4K @ 60 Hz Display Port 1.4a, HDCP 2.3 and HDCP 1.3	-	1
Stereo 3.5 mm (variable)	-	1

Included cables and accessories	Qty
Power adapter with country-specific cable	1 1
10' (3 m) USB 2.0 Type-A-to-B cable 6' (1.8 m) USB Type-C Mini VESA mounting plate	2 1
VESA plate mounting screws Stylus with fine eraser Replacement nibs 4K camera	TBD
Remote control Illustrated installation instructions Important information document	1 1

Connectivity	
Wired	RJ45 (x1), 1000BASE-T, pass-through

Storage and operating requirements	
Power requirements	100V to 240V AC, 50 Hz to 60 Hz
Operating temperature	41–95°F (5–35°C)
Storage temperature	-4–140°F (-20–60°C)
Humidity	20–90% relative humidity, non-condensing

Power consumption	
Typical	< 50 W
Standby	< 0.5 W

Security	
Security feature	Kensington® Security Slot

Certification and compliance	
Regulatory models	SP7-1
US / Canada	cULus FCC ISED TSCA CONEG Packaging Proposition 65
EU / EEA / EFTA / UK	CE LVD CB EMC REACH RoHS Battery WEEE Packaging POP Ecodesign
Australia / New Zealand	RCM
Performance standards	ENERGY STAR® HDMI HDCP

Purchasing information	
Order number: SIP-727	SMART Board Mini 727 interactive podium
Order number: SIP-727-PCMi5	SMART Board Mini 727 interactive podium with OPS PC, PCMi5 with SMART Meeting Pro®-bundle
Order number: SIP-727-PCMi7	SMART Board Mini 727 interactive podium with OPS PC, PCMi7v with SMART Meeting Pro -bundle
Order number: SIP-727-AM60	SMART Board Mini 727 interactive podium with iQ appliance, AM60 -bundle

Optional accessories	
Other accessories	See smarttech.com/accessories

SMART Warranty

Terms and conditions and warranty upgrade options vary by region. Visit smarttech.com/warranty or contact your reseller for information.

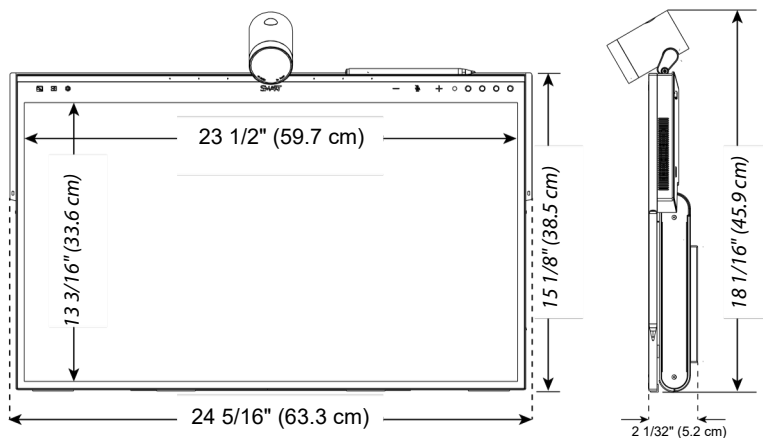
Installation, dimensions, and weights

Notes

- All dimensions ± 0.3 cm. All weights ± 0.9 kg.
- Product ships upright.
- Leave space around the display to ensure adequate ventilation

SIP-727

Dimensions



Weight

- 15 1/2 lb. (7 kg)
- Shipping dimensions (including pallet)
29 5/8" \times 19 3/16" \times 6 1/8"
(75.3 cm \times 48.8 cm \times 15.6 cm)
- Shipping weight
30 lb. (13.5 kg)
- VESA mount
75 \times 75 mm
100 \times 100 mm