



SMART Board® Mini 727 interactive podium



HDMI™
HIGH-DEFINITION MULTIMEDIA INTERFACE

Display	
Screen size (diagonal)	27"
Backlight	LED
Aspect ratio	16:9
Maximum display resolution	4K UHD (3840 × 2160)
Refresh rate	60 Hz
Brightness	400 cd/m ²
Glass	Optically bonded Anti-glare Anti-fingerprint
Display response time	14 ms
Viewing angle	178°
Frame color	Black
Sensors	Ambient light
Audio	Integrated enhanced 6 W speakers (×2) Integrated eight-microphone array with built-in acoustic echo cancellation

Interactive experience	
Touch technology	PCAP
Touch features	Palm rejection
Minimum object size	≥1.5 mm
Multi-touch capability	10 points
Tools included	Stylus
Tool holders	Magnetic holder, left and right

Stylus	
Stylus technology	Microsoft Pen Protocol (MPP 2.0)
Stylus type	Active
Pressure sensitivity	4096 levels of pressure

Button	Mouse right-click function
Fine eraser	Yes
Indicator light	Charging Status
Material	Black aluminum
Charging	In-bezel charging

Camera	
Resolution	4K UHD (3840 × 2160)
Frame rate	30 Hz @ 4K resolution
Field of view	118°
Aspect ratio	16:9
Tilt range	-16–90°
Auto-focus	Yes
Digital zoom	5×, ePTZ
Privacy shutter	Integrated privacy shutter

PC computing	
OPS support	SMART PCM modules or AM60 appliance
PC module power supported OPS	65 W
Optional computing module	_____

SMART Board Mini 727 interactive podium specifications

Inputs	Front	Side
OPS PC accessory slot	–	1
HDMI 2.1 4K @ 60 Hz with HDCP 1.4 and HDCP 2.3	–	1
USB Type-C 4K @ 60 Hz Display Port 1.2, HDCP 2.3, 65 W power delivery	–	1
USB 3.0 Type-A	–	2
USB 3.0 Type-B for touch ingest and peripherals	–	1
RJ45 (LAN IN)	–	1

Outputs	Front	Side
HDMI 2.1 4K @ 60 Hz with HDCP 1.4 and HDCP 2.3	–	1
USB Type-C 4K @ 60 Hz Display Port 1.4a, HDCP 2.3 and HDCP 1.3	–	1
Stereo 3.5 mm (variable)	–	1

Included cables and accessories	Qty
Power adapter with country-specific cable	1
6.5' (2 m) USB 3.0 Type-A-to-B cable	1
6' (1.8 m) USB Type-C	1
Mini VESA mounting plate	1
VESA plate mounting screws	2
Stylus with fine eraser	1
Replacement nibs	TBD
4K camera	1
Remote control	1
Illustrated installation instructions	1
Important information document	1

Connectivity	
Wired	RJ45 (×1), 1000BASE-T, pass-through

Storage and operating requirements	
Power requirements	100V to 240V AC, 50 Hz to 60 Hz
Operating temperature	41–95°F (5–35°C)
Storage temperature	-4–140°F (-20–60°C)
Humidity	20–90% relative humidity, non-condensing

Power consumption	
Typical	< 50 W
Standby	< 0.5 W

Security	
Security feature	Kensington® Security Slot

Certification and compliance	
Regulatory models	SP7-1
US / Canada	cULus FCC ISED TSCA CONEG Packaging Proposition 65
EU / EEA / EFTA / UK	CE LVD CB EMC REACH RoHS Battery WEEE Packaging POP Ecodesign
Australia / New Zealand	RCM
Performance standards	ENERGY STAR® HDMI HDCP

Purchasing information	
Order number: SIP-727	SMART Board Mini 727 interactive podium
Order number: SIP-727-PCMi5	SMART Board Mini 727 interactive podium with OPS PC, PCMi5 with SMART Meeting Pro®-bundle
Order number: SIP-727-PCMi7	SMART Board Mini 727 interactive podium with OPS PC, PCMi7v with SMART Meeting Pro - bundle
Order number: SIP-727-AM60	SMART Board Mini 727 interactive podium with iQ appliance, AM60 - bundle

Optional accessories
Other accessories

SMART Warranty

Terms and conditions and warranty upgrade options vary by region. Visit smarttech.com/warranty or contact your reseller for information.

SMART Board Mini 727 interactive podium specifications

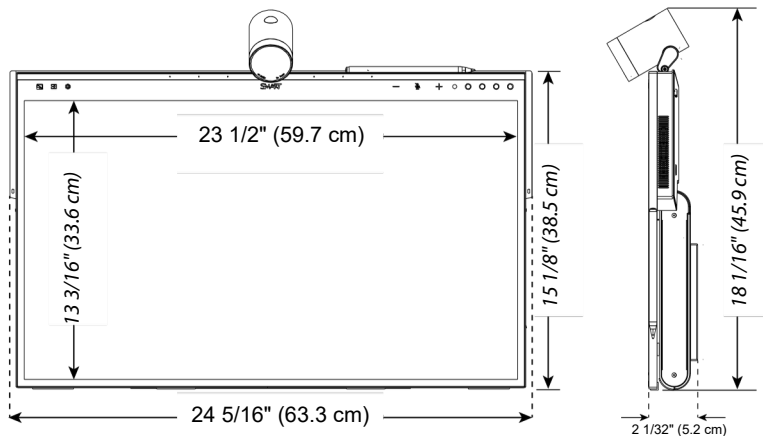
Installation, dimensions, and weights

Notes

- All dimensions ± 0.3 cm. All weights ± 0.9 kg.
- Product ships upright.
- Leave space around the display to ensure adequate ventilation

SIP-727

Dimensions



Weight
Shipping weight (including pallet)
29 5/8" x 19 3/16" x 8 1/8"
(75.3 cm x 48.8 cm x 15.6 cm)
Shipping weight
13.5 kg
Yes
75 x 75 mm
100 x 100 mm