



SMART Board® QX (V2) Pro series with iQ



Display	
Screen sizes (diagonal)	65" 75" 86" LED
Backlight	16:9 4K UHD
Aspect ratio	(3840 × 2160)
Maximum display resolution	
Refresh rate	60Hz
Lifespan	≥ 50,000 hours
Brightness ¹	490 cd/m ²
Display response time	≤8ms
Viewing angle	178°
Glass	Optically bonded Anti-glare Anti-fingerprint Heat-tempered
Frame color	Black
Convenience buttons	Power Home Volume Microphone mute Freeze frame
Sensors	Proximity Ambient light Infrared Room temperature Humidity Volatile organic compound (VOC) Particulate Matter (PM2.5) ²
Audio	Integrated soundbar featuring two 20 W speakers and a 15 W subwoofer Integrated linear eight-microphone array with visual mute status indicator and support for onboard acoustic echo cancellation
Video	4K, 8.28MP, ePTZ with 10× Digital Zoom, 120FOV See SMART Ultra HD Camera 120

NFC	Integrated RFID NFC reader/writer CCID (chip card interface device) when used with a native operating system driver for Windows®, Linux®, or Mac Supported protocols: ISO 14443A/B, ISO 15693, NFC Tag 1-4
-----	--

Interactive experience	
Touch technology	HyPr Touch™ with Advanced IR
Touch features	Simultaneous tool differentiation Object Awareness™ Pen ID™ Silktouch™ Pressure sensitive ink Palm rejection Tool Explorer™ v2
Typical touch response time	≤4ms
Frame rate	≥ 300 Hz
Accuracy	1mm
Minimum object size	2mm
Multitouch capabilities	Up to 50 touch points (OS dependent)
Tools included	Stylus with multi-color select and fine eraser (×2) Erasers with angle of orientation (×2)
Tool holders	Intelligent Magnetic Frame-mounted

¹Brightness of individual displays can vary.

²The display's environmental sensors are not life safety rated sensors: they provide general information only.

Software	
Included	iQ embedded Android™ OS SMART Meeting Pro® Roomlicense Personalllicenses(×10) SMART Product Drivers and SMART Ink® SMART Remote Management ³
Optional	SMART TeamWorks™

iQ embedded Android OS	
Operating system	Android version 13.0 (Automatic update to Android version 15.0 scheduled for the second half of 2025.)
CPU	Octa-core
Memory	8 GB DDR4
OS architecture	64-bit
Storage	64 GB (up to 576 GB)
User interface	4K UHD (3840 × 2160)
Digital whiteboard	✓
Web browser	✓
Screen sharing	✓
Google Play™ Protect Certified ⁴	✓
Google Play Store	✓
Other features	Personalized home screen and settings Split screen Templates, graphic organizers, and manipulatives File and app libraries Environmental sensors dashboard Tool Explorer™ Image Editor
Ability to run third-party applications	✓
Cloud storage access	✓
NFC sign in to a SMART Account	✓
Device-based sign in to a SMART Account	✓

³Subscription for the length of the included warranty

⁴Pending final testing

Languages supported	
	Basque Catalan/Valencian Chinese (simplified) Chinese (traditional) Czech Danish Dutch English Estonian Finnish French Galician German Greek Hungarian Italian Japanese Korean Latvian Lithuanian Norwegian Polish Portuguese Romanian Russian Slovak Slovenian Spanish Swedish Ukrainian Vietnamese Welsh
	Automatic over-the-air (OTA)

Updates

PC computing

OPS support ⁵	SMART PCM modules
PC module power supported OPS	100W
Optional computing module	See smarttech.com/accessories

Inputs	Front	Back
OPS PC accessory slot	–	1
MicroSD slot with security cover	–	1
HDMI® 2.1 4K@60Hz with HDCP 1.4, HDCP 2.3, ARC, and eARC support ⁶	1	3
VGA video	–	1
Stereo 3.5 mm (variable)	–	1
RS-232 (DB-9 connector)	–	1
RJ45 (LAN IN)	–	1
USB Type-C 4K @ 60Hz, Display Port 1.2, USB 2.0 (UFP) for touch and digital audio, USB 3.2 Gen 1 (DFP) for peripherals; 65 W power delivery	1	1
USB Type-C, SuperSpeed (5 Gbps); 15 W power delivery	–	1 (top)
USB 2.0 Type-A		
USB 3.2 Gen 1 Type-A	–	1
USB 3.2 Gen 1 Type-B	2	2
	1	3

⁵The support and performance of third-party OPS (Open Pluggable Specification) and OPS-C modules may vary. Conduct proper compatibility testing to avoid potential issues.

⁶ARC and eARC support are available only with the HDMI 2 input.

Outputs	Front	Back
HDMI 2.1 4K @ 60Hz with HDCP 2.3 support	–	1
USB Type-C 4K @ 60Hz Display Port 1.4a, HDCP 2.3 and HDCP 1.3, USB 3.2 Gen 1 (DFP) for touch ingest and peripherals; 4.5 W power delivery	–	1
Stereo 3.5 mm (variable)	–	1
S/PDIF optical (fixed)	–	1
RJ45 (LAN OUT)	–	1

Included cables and accessories	Qty
Country-specific power cable 16' 5" (5 m) USB 2.0	1
A to B cable 6' (1.8 m) USB4 Type-C cable, 100W	1
Stylus with multi-color select and fine eraser Bar erasers	1
External dual-band (2.4 and 5 GHz) antennas	2
Remote control AAA batteries SMART	2
Ultra HD Camera with mounting and cable accessories	2
Illustrated installation instructions	1
Important information document	2
	1
	1

Connectivity	
Wired	RJ45 (x2) 1000BASE-T IEEE
Wi-Fi	802.11ax (Wi-Fi 6e) supporting WPA, WPA2, WPA3 PSK, and 802.1X EAP authentication protocols
Bluetooth	5.2 dual mode

Storage and operating requirements	
Power requirements	100V to 240V AC, 50 Hz to 60 Hz
Operating temperature	41–95°F (5–35°C)
Storage temperature	-4–140°F (-20–60°C)
Humidity	5–80% relative humidity, non-condensing

Power consumption	
Typical	65": 94 W 75": 105 W 86": 122 W
Standby	<0.5 W

Certification and compliance ⁷	
Regulatory models	IDQR65-A IDQR75-A IDQR86-A
US / Canada	UL FCC ISED TSCA CONEG Packaging Proposition 65
EU / EEA / EFTA / UK	CE UKCA LVD CB EMC RED REACH RoHS Battery WEEE Packaging POP Ecodesign
Australia / New Zealand	RCM
Performance standards	ENERGY STAR® HDMI HDCP

Purchasing information ⁸	
Order numbers	
QX265-V2-P	SMART Board® QX065-V2 Pro interactive display with iQ
QX275-V2-P	SMART Board QX075-V2 Pro interactive displaywithiQ
QX286-V2-P	SMART Board QX086-V2 Pro interactive displaywithiQ

Optional accessories	
WM-SBID-200	SMART Wall Mount for SMART interactive displays
Other accessories	See smarttech.com/accessories

SMART Warranty	
	Terms and conditions and warranty upgrade options vary by region. Visit smarttech.com/warranty or contact your reseller for information.

⁷Product availability may vary by region.

This product has received additional certifications not listed here.

⁸Order numbers may vary by region.

Cable requirements

See [SMART cables and connectors guide](https://docs.smarttech.com/kb/171926)
(docs.smarttech.com/kb/171926)



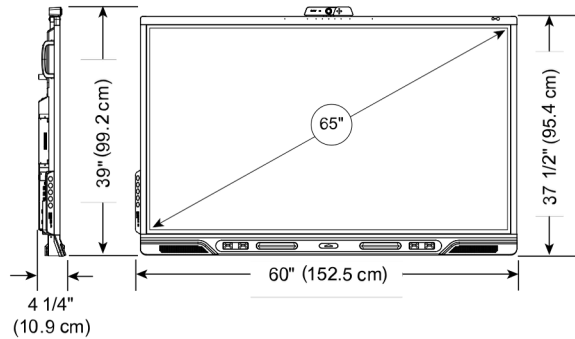
Installation, dimensions, and weights

Notes

- ▮ All dimensions ± 1/8" (0.3 cm). All weights ± 2 lb. (0.9 kg).
- ▮ Product ships upright.
- ▮ Leave space around the display to ensure adequate ventilation.

65" models

Dimensions



Weight

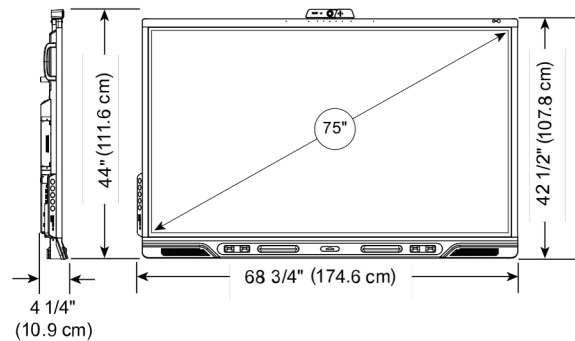
92.6 lb. (42 kg)
 Shipping dimensions (including pallet)
 65 1/2" × 46" × 7 1/8"
 (166.5 cm × 117 cm × 18 cm)
 Shipping weight

108 lb. (49 kg)
 VESA mount
 M8 | 600 × 400 mm
 Handles

2

75" models

Dimensions



Weight

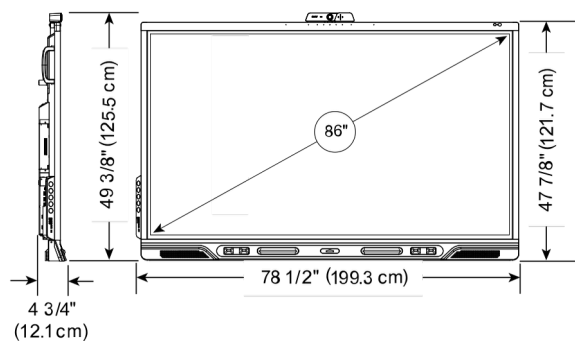
124 lb. (56 kg)
 Shipping dimensions (including pallet)
 74 5/8" × 50 7/8" × 7 1/8"
 (189.5 cm × 129.3 cm × 18 cm)
 Shipping weight

147 lb. (67 kg)
 VESA mount
 M8 | 800 × 400 mm
 Handles

2

86" models

Dimensions



Weight

154 lb. (70 kg)
 Shipping dimensions (including pallet)
 84 1/4" × 57 1/4" × 7 5/8"
 (214 cm × 145.4 cm × 19.5 cm)
 Shipping weight

190 lb. (86 kg)
 VESA mount
 M8 | 800 × 600 mm
 Handles

2

