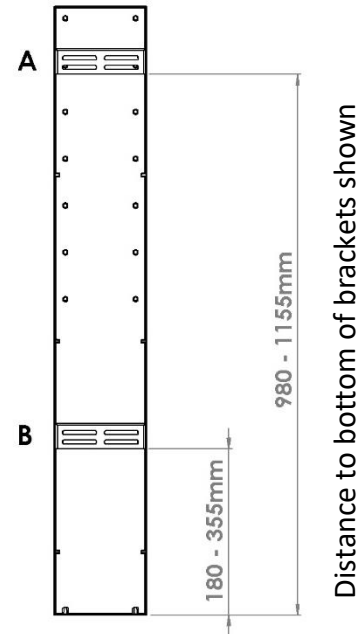


Slim Mono Fixed Height - Wall mount 8416

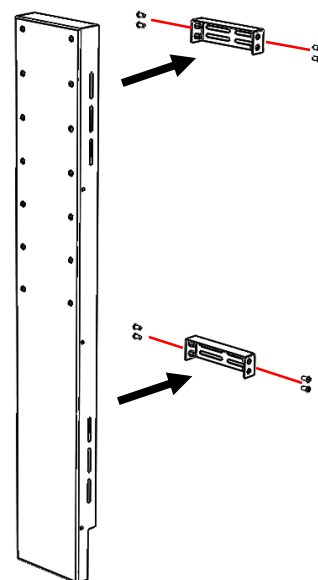
- Max Capacity 130kg - Screens upto 86"

1. Mount the two brackets to the wall using the drawing as a guideline. The upper bracket **MUST** be located at position A, the lower bracket should be located at position B.

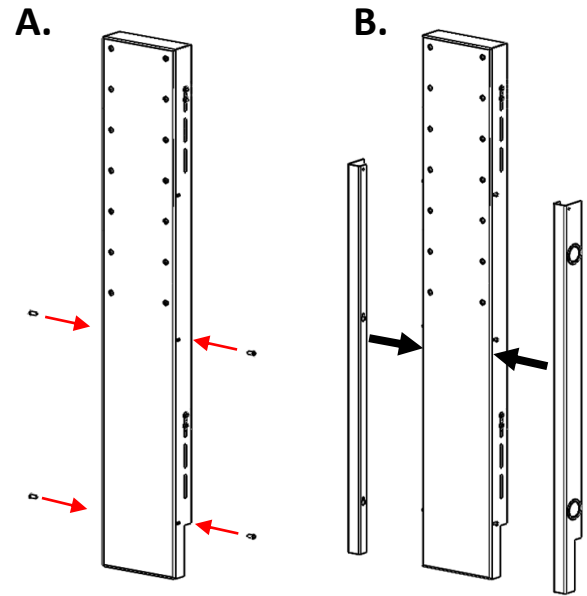
The slotted fixing points in the side of the column give a large amount of flexibility (175mm) at each position, the upper bracket (position A) should be mounted as high as possible.



2. Position the column over the brackets, ensure the base of the column is resting on the ground. Then secure the column in place using the M8 bolts provided. Check that the column is vertical using a spirit level and make any necessary adjustments.

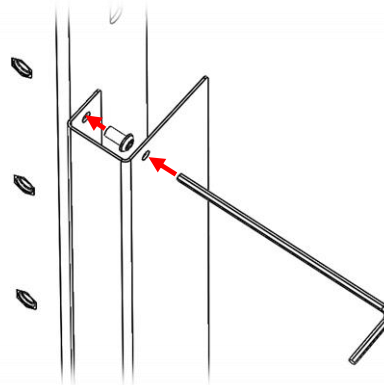


3. **A.** Screw two M5 bolts into each side of the column in the positions indicated, leaving approximately 1.5-2mm of thread exposed.
B. The covers should now be checked for fit by locating them onto the bolts, if the covers seem loose they can be removed and the bolts tightened slightly.

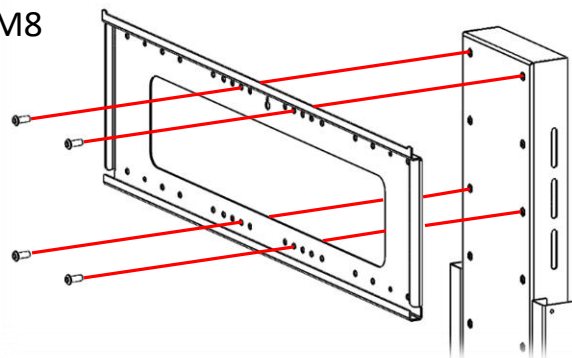


4. If cable routing is needed run any cables up the inside of the covers. An X may be cut in the plastic grommets to allow cables to pass through the covers.

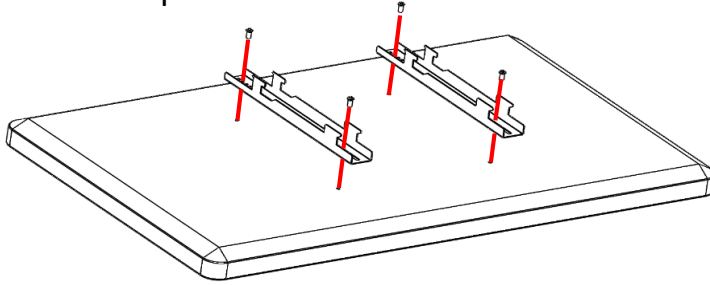
5. When cabling is complete locate the covers on the sides of the column and secure with an M5 bolt at the top of each cover.



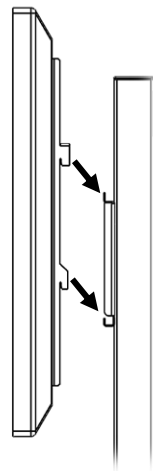
6. Bolt the mount rail in place at your required height using four of the M8 bolts provided.



7. Attach the hangers to the back of the screen, make sure the hangers are as central as possible.



8. Hook the screen onto the mount rail.



9. Secure the screen in place by fixing through the brackets into the mount plate, use the M5x50mm Bolts and washers provided.

