

# Mono Fixed Height - Wall mount 8433

- Maximum Capacity 130kg - Maximum Screen Size 95in



## WARNING

### Safety instructions

Do not attempt to install or use this product until all the instructions and warnings have been read and understood. Please retain these instructions for future reference.

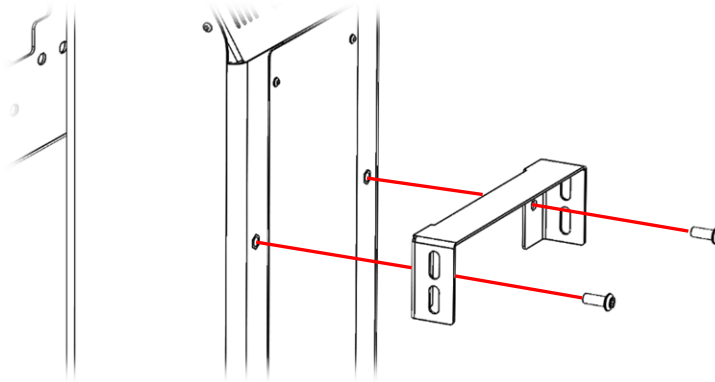
Failure to follow these instructions may result in accident leading to serious injury or death.

Failure to follow these instructions may result in the product being damaged or destroyed and the warranty voided.

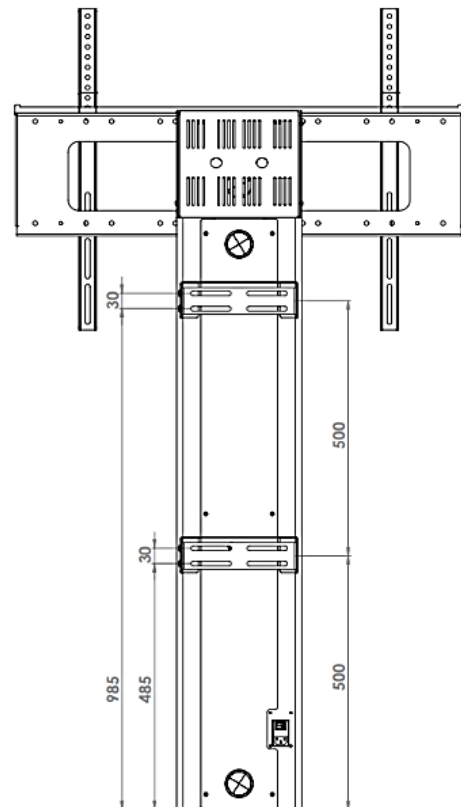
Loxit Products Ltd is not responsible for injury or damage caused by improper installation, improper usage or failure to follow these instructions.

- Never exceed the maximum weight and/or screen size indicated. The use of equipment exceeding the maximum weight and/or screen size may cause instability and/or product failure.
- It is the responsibility of the installer to ensure that the wall and the fixings used are capable of safely bearing the load of the product and any equipment installed on it.
- The product must only be used on a floor which is hard, flat and level.
- All adjustable feet must be in full contact with the floor to prevent stability issues.
- The floor surface the product is installed upon must be capable of safely bearing the weight of the product and any equipment installed on the product.
- Hitting, pushing/pulling or climbing on the product may result in damage and/or failure of the product and may cause the weakening and/or failure of the fixings used to secure the product to the wall and/or floor.
- Children must not be allowed to operate the product.
- The product must only be used indoors in a dry area and it must be ensured before use that the product is safe or protected from liquid contact or spillage.
- Do not place the product in places subject to extreme temperatures, for example near a radiator or heating vent.

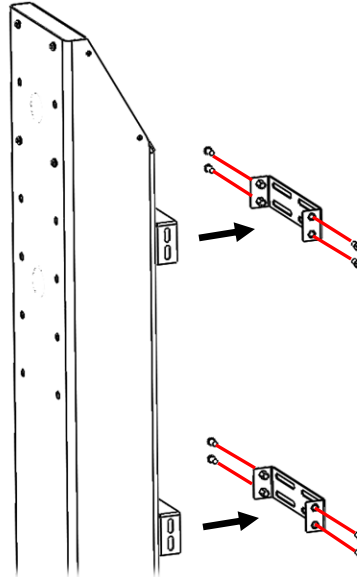
1. If using adjustable feet thread the feet into the base of the column, then stand the column upright and use the feet to level it.
2. Bolt your 40 or 100mm mounts to the column using two M8\*20mm bolts for each mount.



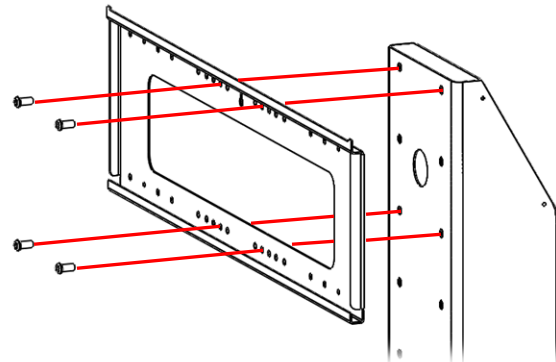
3. Using the technical drawing mount the wall mounts to the wall in the positions shown. Be sure to take into account the added height of the adjustable feet.



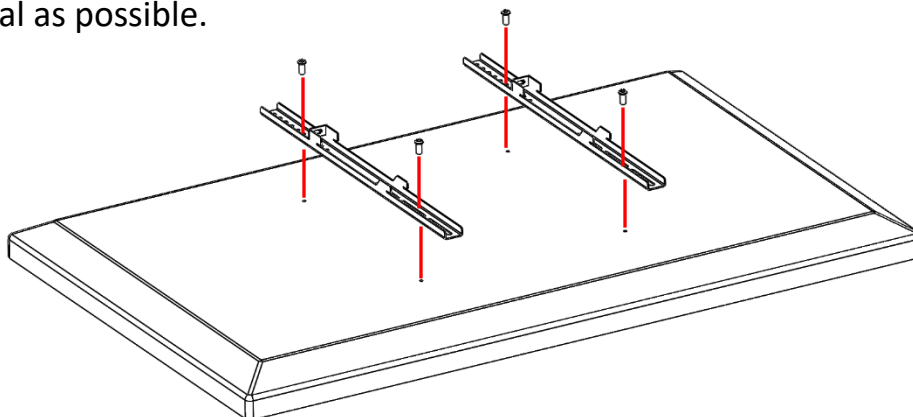
4. Move the column up to the wall mounts and bolt the two parts of the mounts together using the M8 bolts.



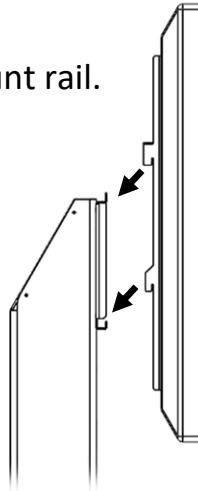
5. Remove the grommets from the front of the column. Then secure the mount in place using four M8\*20mm bolts, the mount can be bolted in 5 different positions and offers 400mm of height adjustment in 100mm increments.



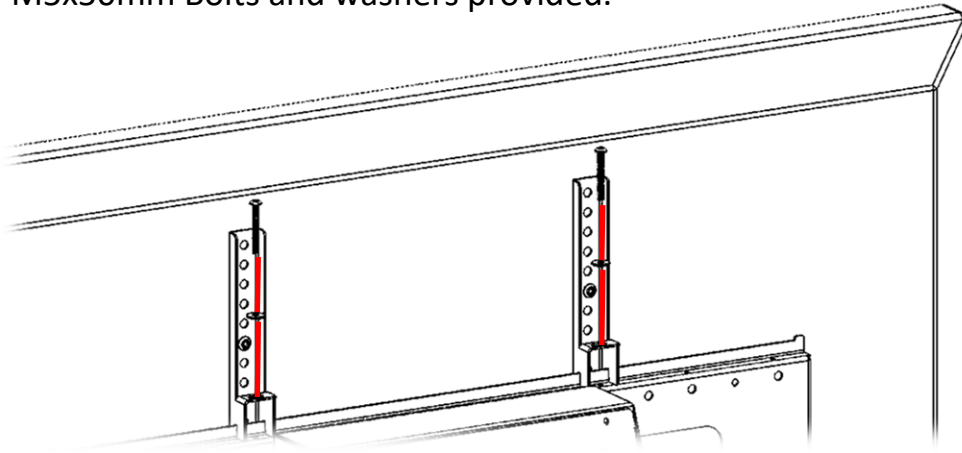
6. Fix the brackets to the back of the screen using fixings of an appropriate size and length for your screen. Ensure the brackets are as central as possible.



7. Hook the screen onto the mount rail.



8. Secure the screen in place by fixing through the brackets into the mount plate, use the M5x50mm Bolts and washers provided.



9. Unscrew the four M4 bolts and remove the rear cover. Pass power cables for the screen through the grommet on the front of the column and plug into the 4 way power strip. Once cabling is complete bolt the cover back in place.

