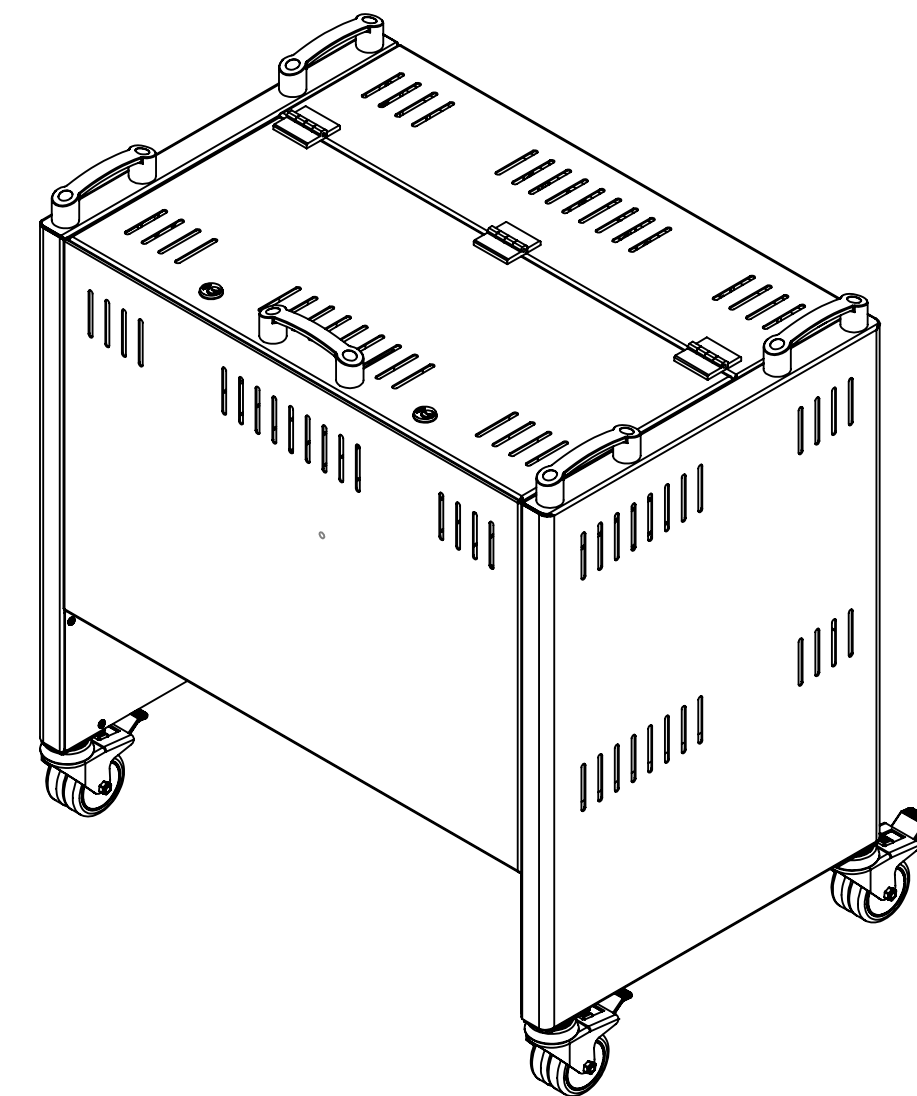
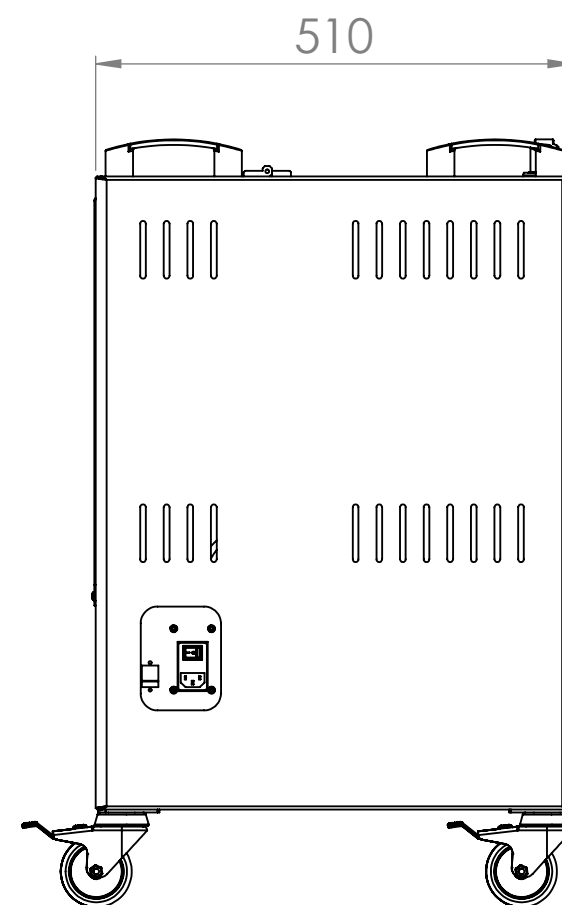
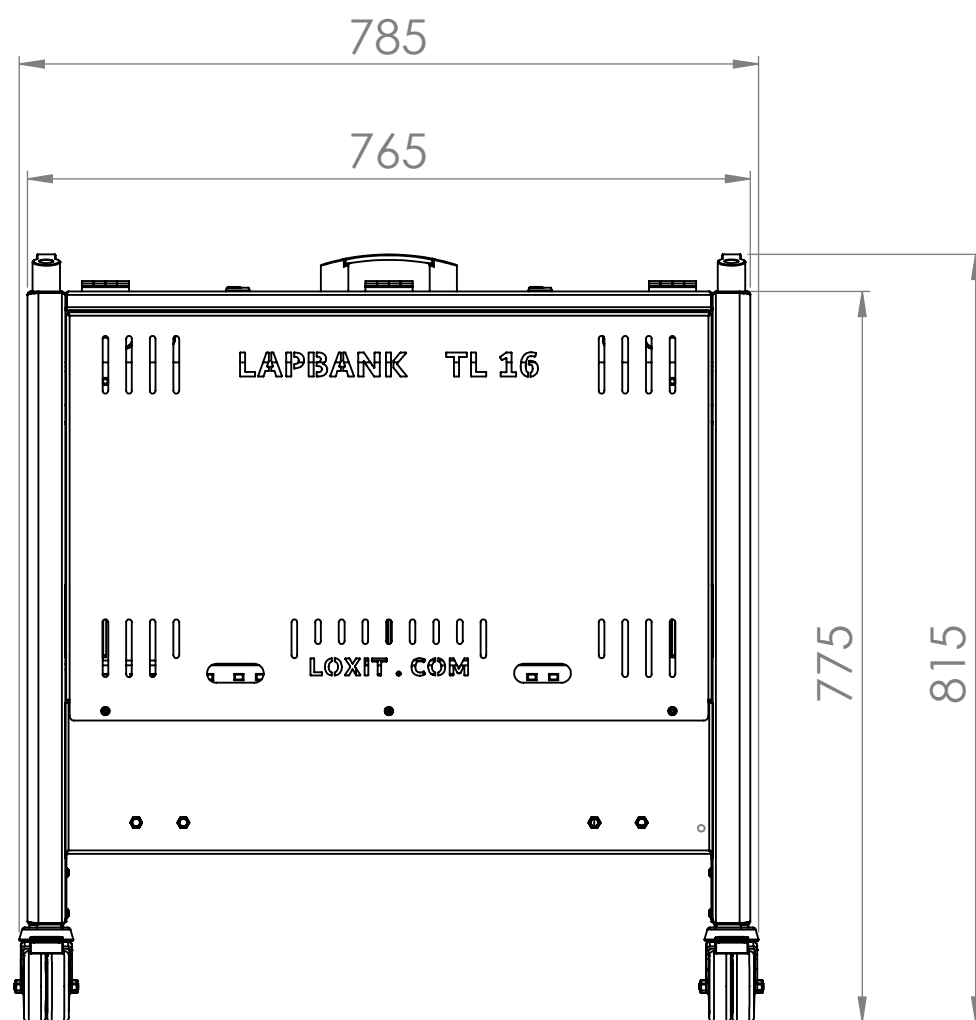
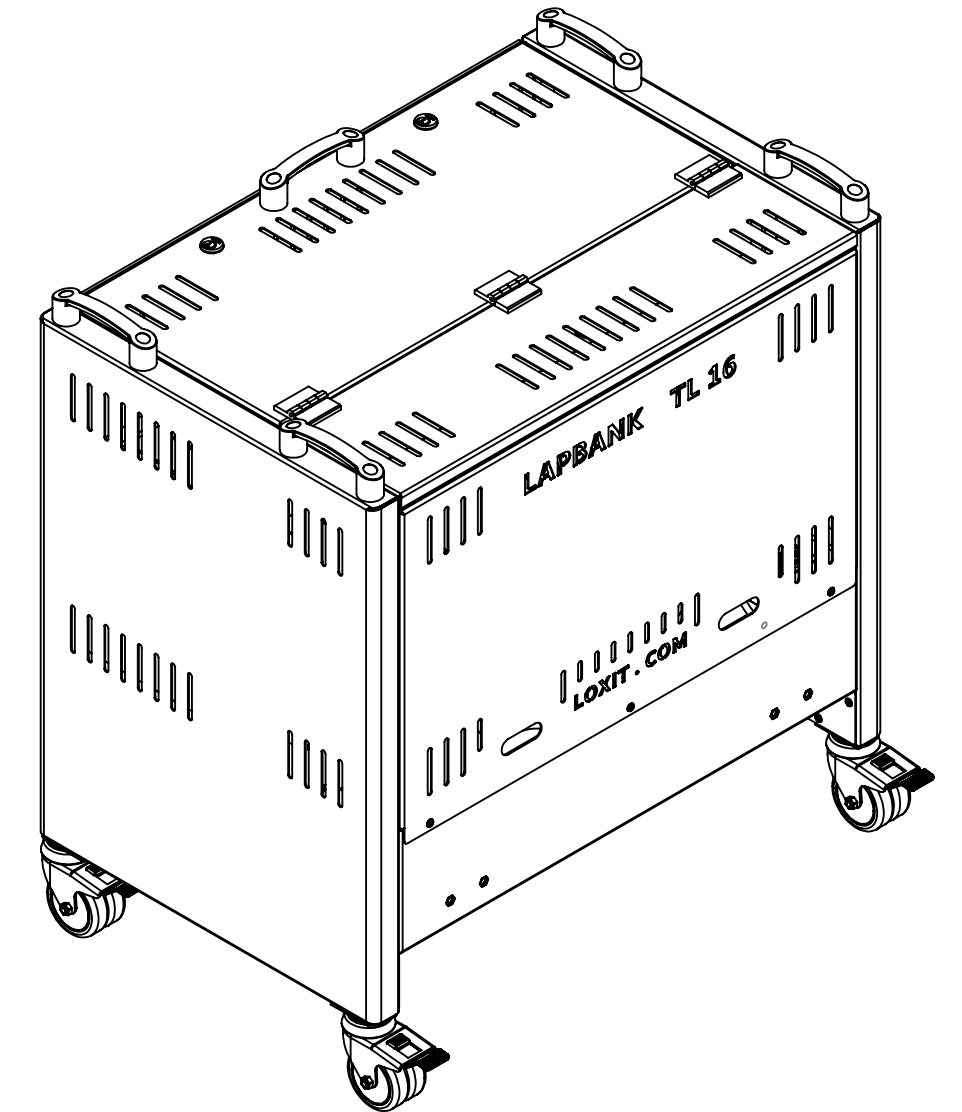
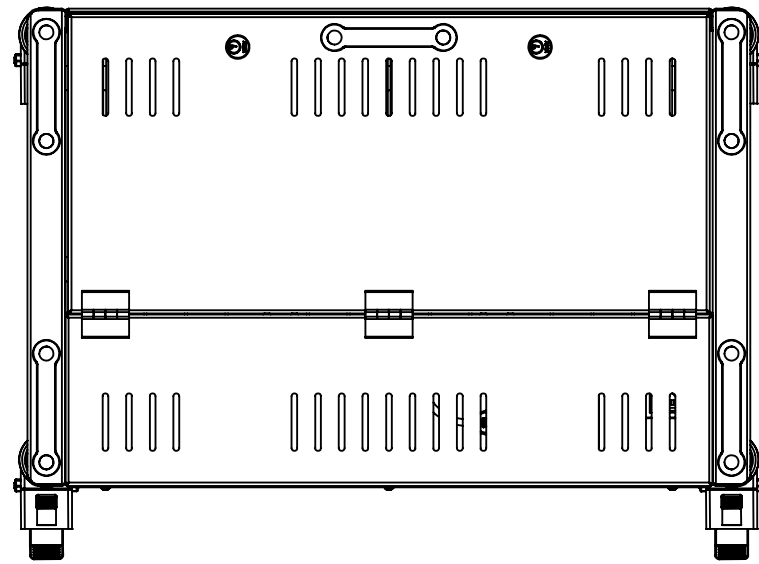


- Storage and Charging for 16 laptops upto 15.6in.
- Lockable storage compartment.
- Compartment space per device W: 40mm D: 300mm H: 400mm\*  
\*(+50mm cable allowance).
- Device charge using their own chargers, UK socket provided for each device.
- Soft start, surge protection, mains conditioner and anti-backwash device for safe charging
- 4 x Lockable double casters
- Naturally ventilated design
- 4 x Grab handles



**LoxIT Limited**  
First avenue  
Poynton Industrial Estate  
Poynton  
Cheshire  
England  
SK12 1YJ  
t: +44 (0) 845 519 5191  
w: [www.loxit.com](http://www.loxit.com)

The copyright of this drawing is retained by Loxit limited  
This drawing may not be reproduced without prior written permission of Loxit limited

\*Dimensions given to a tolerance of +-3mm