

Electric Hi-Lo Mono Table- 8523 and 8524

WARNING ! THIS IS NOT A TOY !

WARNING ! CHILDREN SHOULD NOT OPERATE THE TABLE

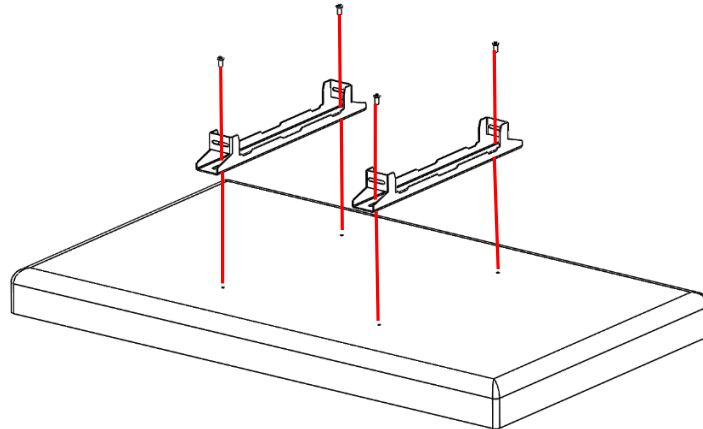
WARNING ! THE ELECTRIC TABLE MUST BE IN THE LOWEST POSITION WHEN MOVING IT AROUND!

Safety instructions

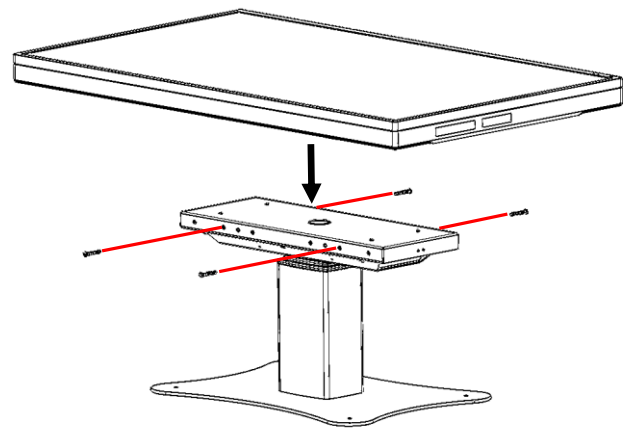
Use the following safety guidelines to help protect your electric table from potential damage and to ensure your own personal safety.

- Read all the installation instructions before testing or installing your table.
- Read and follow all safety instructions.
- To prevent bodily injury, keep hands and clothing away from the electric table while it is in operation.
- Before installing the electric table or working with its connections, unplug the table from the mains power supply socket
- Do not place the electric table in places subject to extreme temperatures for example near a radiator, or heating vent.
- The Electric Table must only be mounted in a dry area and it must be ensured before use that the table is safe or protected from liquid contact or spillage.
- Unplug the table IMMEDIATELY in the following conditions:
 - When the power cord or plug is damaged or frayed.
 - If liquid has spilled into the table.
 - If the table has been exposed to rain or water.
 - If the table exhibits a distinct change in performance, indicating a need for servicing.
- MANUFACTURERS who build this table into other products or use it with other products, MUST make sure to prevent bodily injury. The MANUFACTURER is responsible to give the end user proper warnings and instructions for use.
- When adding a TV or any other equipment the party adding this TV or equipment is responsible for stability and security.
- The electric table should only be used on a flat floor

1. Bolt the hangers to the back of the screen, make sure the hangers are positioned centrally

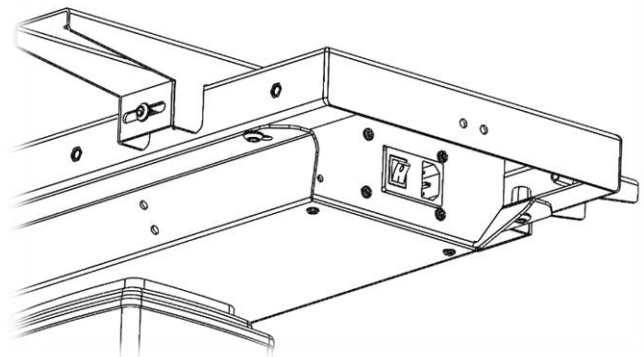


2. Carefully lower the screen onto the mount and secure in place using an M6 bolt on each side of both hangers.



3. The height adjustment control can be attached to the screen in a position of your choice using the velcro provided.

4. The power inlet is located at the end of the table mount as shown, with the IEC power lead plugged in the table can be operated up and down using the wired controls.



**Mono electric mobile touch screen table 8523 must only be moved in the lowered position.*