

Hi Lo Mono 600- Trolley 8421

-Maximum Weight Capacity 130kg -Maximum Screen Size 86in



WARNING

Safety instructions

Do not attempt to install or use this product until all the instructions and warnings have been read and understood. Please retain these instructions for future reference.

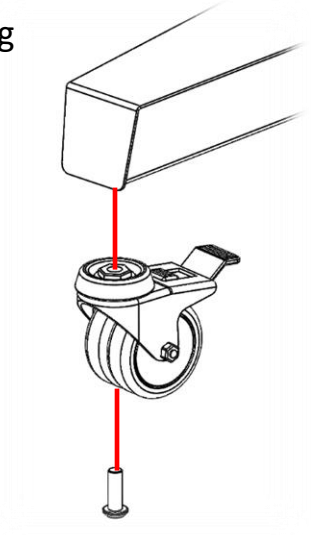
Failure to follow these instructions may result in accident leading to serious injury or death.

Failure to follow these instructions may result in the product being damaged or destroyed and the warranty voided.

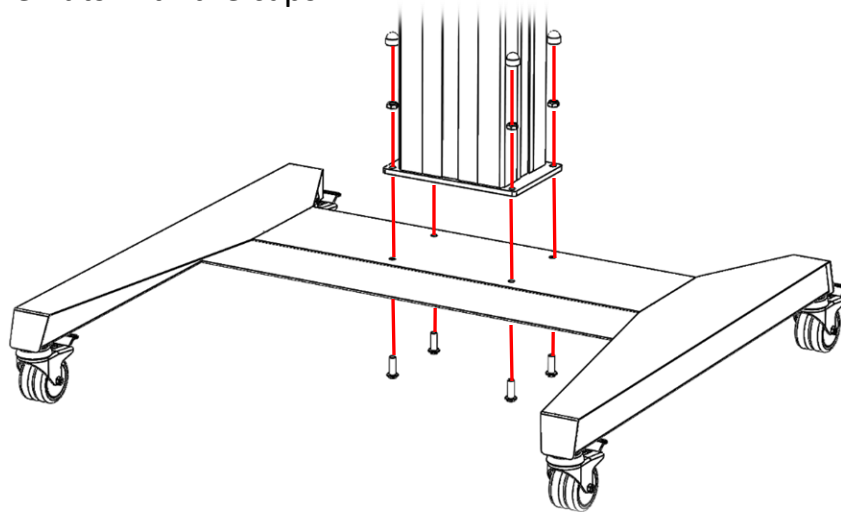
Loxit Products Ltd is not responsible for injury or damage caused by improper installation, improper usage or failure to follow the instructions.

- Never exceed the maximum weight and/or screen size indicated. The use of equipment exceeding the maximum weight and/or screen size may cause instability and/or product failure.
- Ensure the areas above and below any moving parts of the product are kept clear of obstructions at all times.
- The product must only be used on a floor which is hard, flat and level to prevent stability issues.
- The floor the product is used upon must be capable of safely bearing the weight of the product and any equipment installed on the product.
- The product is not fixed to the ground and may tip or fall over if the product is hit, pushed/pulled with excessive force or climbed upon.
- Children must not be allowed to operate the product or have access to the controls.
- To prevent bodily injury, keep hands and clothing away from moving parts when the product is in operation.
- Before installing the product or working with its connections, unplug the product from the mains power supply socket.
- The product must only be used indoors in a dry area and it must be ensured before use that the product is safe from liquid contact or spillage.
- Unplug the product IMMEDIATELY in the following conditions:
 - When the power cord or plug is damaged or frayed.
 - If liquid has spilled into the product.
 - If the product has been exposed to rain or water.
 - If the product exhibits a distinct change in performance, indicating a need for servicing.
- Do not place the product in places subject to extreme temperatures, for example near a radiator, or heating vent.
- The product must only be moved with the screen in the lowest position and must not be moved over rough or uneven surface.

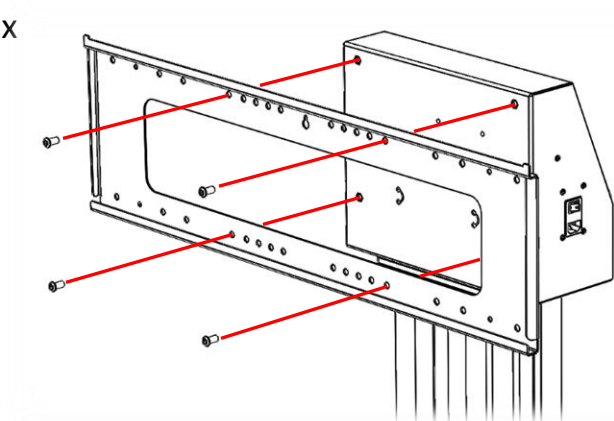
1. Secure the casters in place as shown using the M10x25mm bolts with pre-applied thread lock.



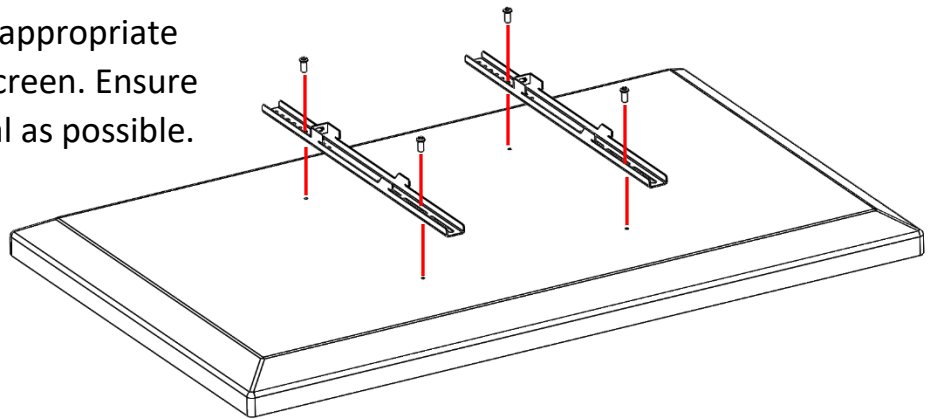
2. Bolt the lift column and head box to the base using four M10*30 bolts and nyloc nuts. Cover the nuts with the caps.



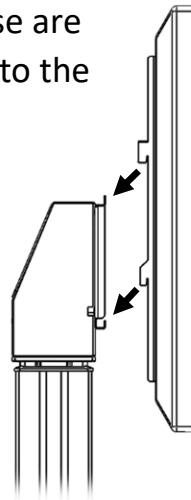
3. Secure the mount to the headbox using four M8 bolts.



4. Fix the brackets to the back of the screen using fixings of an appropriate size and length for your screen. Ensure the brackets are as central as possible.



5. Make sure the casters of the base are locked, then hook the screen onto the mount rail.



6. Secure the screen in place by fixing through the brackets into the mount plate, use the M5x50mm Bolts and washers provided.

