

Lapbank CB 16- 6430

WARNING



- Children must be under surveillance to ensure that they do not play with this piece of electrical equipment.
- The product is shipped fully assembled, if the unit is being stored do not double stack.
- Ensure the outlet socket the cabinet is connected to is easily accessible.
- The weight of the cabinet exceeds 25kg, Do not attempt to lift the cabinet.
- Failure to follow the below instructions may result damage to equipment or injury.

Maintenance Instructions

- There are no user maintenance or adjustment points on this machine. Simply clean dust and dirt from the outside of the unit and inspect for damage or breaks.
- Cleaners and disinfectants must not be highly alkaline or acidic.
- The user should visually check the equipment for signs of wear or misuse before each time of using and for the security of the screen or any accessories.
- The condition of electrical cables and plugs should be checked for wear or abrasion before use.
- In addition, the equipment should be visually inspected in more detail every three months to ensure that the unit is functioning properly and if it is not the user should report this to the manufacturer for advice or for the return of the unit to base for repair.
- Incidences of misuse must be reported immediately and the unit placed out of commission.
- All repairs to the unit must only be carried out by Loxit.
- The warranty is only valid in so far as the equipment has been used and maintained correctly and has not been tampered with.
- Violent treatment will invalidate the warranty.
- During operation if the unit makes any unusual noises or smells turn off the power supply at the mains immediately.
- Ambient temperature range +5deg C to +40 deg C.

Safety

Power Rating:

230v – 50 Hz – 10 amps. **TOTAL NOT TO EXCEED 10 amps.** OUTPUT – 230V AC – 10 amps.

Fuses located within the plug and Power inlet IEC block are the only user serviceable parts within the unit, any warranty and service issues should be referred to your supplier.

Power input IEC block fuse: Fast Blow Glass Fuse, 10A, 250V (F10AL250V)

Mains cable plug fuse: 10A BS1362 Fuse

In the event of the mains plug or lead being damaged, the unit should not be used until a new plug or lead has been fitted by a competent person. The old plug or lead must be safely disposed of.

THE MAINS INPUT TO THE LAPBANK CB CABINET MUST ONLY BE PLUGGED INTO AND REMOVED FROM A SWITCHED MAINS PLUG SOCKET WHICH IS TURNED OFF.

If any fault or damage is found with any mains input cable, remove all power sources and stop using immediately. Contact Loxit Limited on +44 (0) 845 519 5191 for a replacement cable.

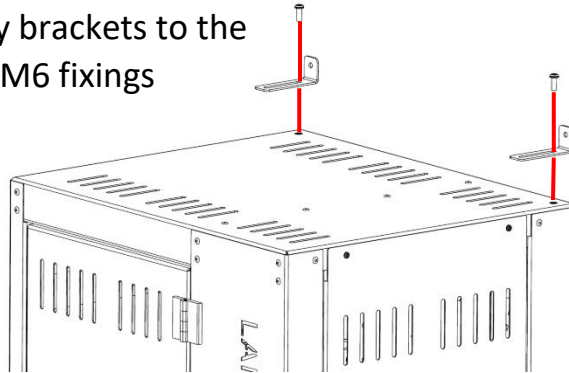
Visit www.loxit.com for contact details or sales@loxit.com to e-mail.

UNDER NO CIRCUMSTANCES SHOULD REPAIRS BE MADE TO THE MAINS INPUT CABLE.

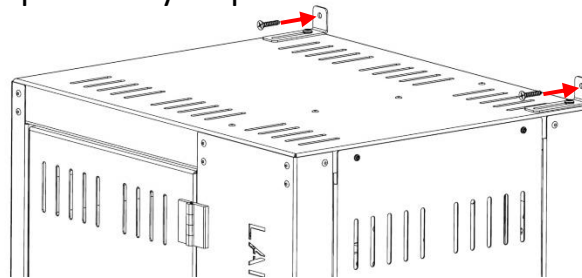
- This Laptop storage and charging product must only be used by a competent adult and must not be used if this can not be assured.
- If you are in any doubt please refer to your Health and Safety Co-ordinator and/or Health and Safety Manual for guidance.
- This product requires PAT testing at maximum 12 monthly intervals.
- Portable Appliance Testing- This unit must only be earth bond and insulation tested using the IT settings on any PAT tester.
- WEEE Directive- When the unit becomes redundant it must be disposed of in compliance with the WEEE directive 2005.



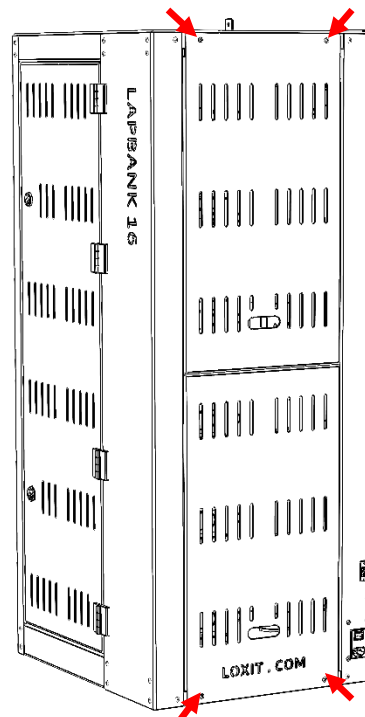
1. Move the cabinet into position next to a wall, there should be an air gap of 20mm minimum between the cabinet and wall for ventilation.
2. Loosely screw the two safety brackets to the top of the cabinet using the M6 fixings provided.



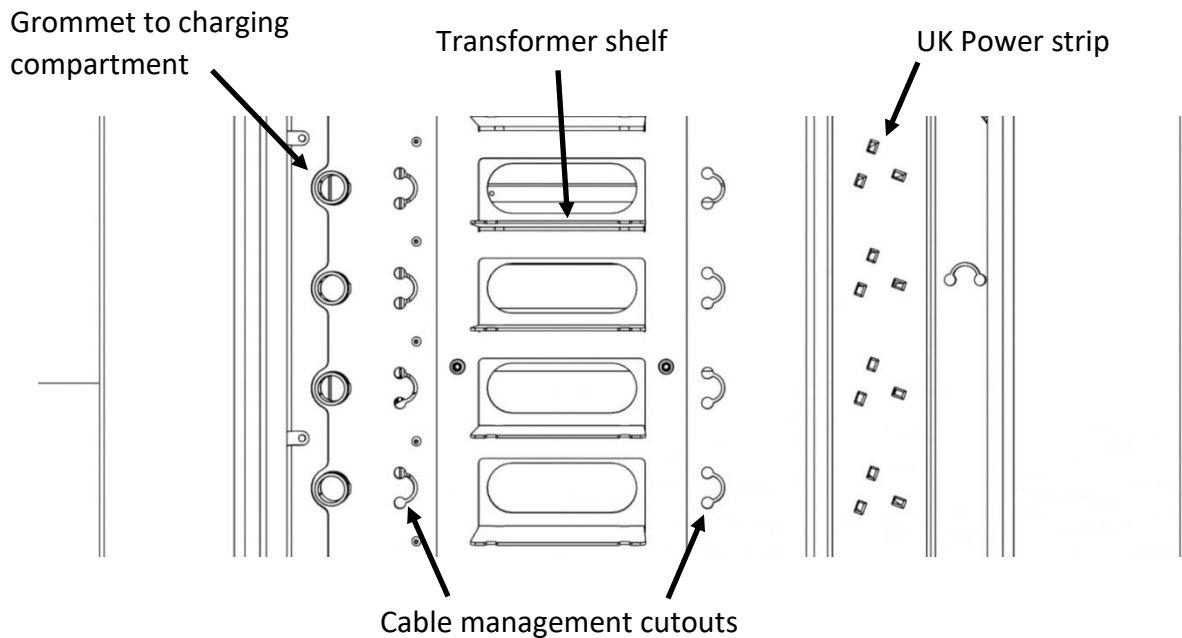
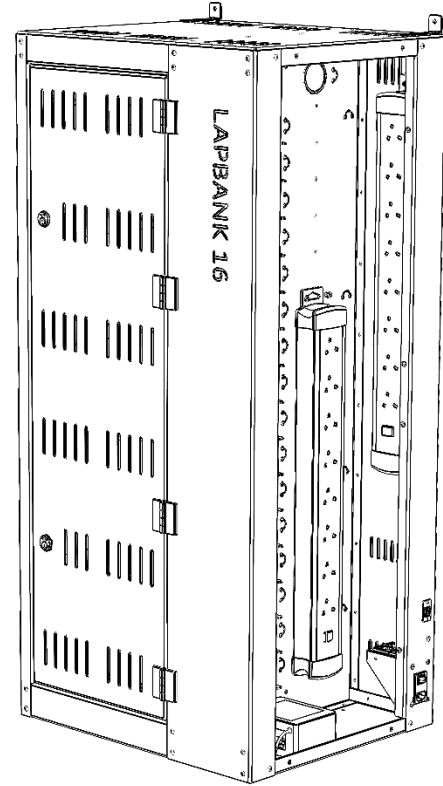
3. Fix the safety brackets to the wall using fixings appropriate for the wall. Then tighten the M6 fixings for the previously step.



4. Remove the four M4 fixings indicated and unhook the charge hatches.



5. With the charge hatches removed the charge compartment should now be accessible.
 - A. The laptop mains plug should be plugged into the UK power strips located to the right of the cabinet.
 - B. The laptop transformer should then be placed on the shelf provided and secured using cable ties.
 - C. Pass the charge cable through the black grommet into the storage compartment, adjust the length of the cable to leave the minimum possible length in the storage compartment.
 - D. Use cable ties to secure any spare cable using the cable management cutouts provided.

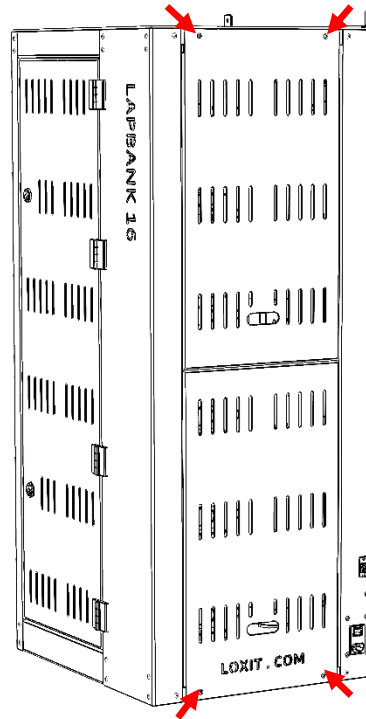


6. Repeat step 5 for the remaining transformers and charging leads.

7. Before replacing the charge hatches check all plugs are fully inserted into the power strips and transformers.

The charge hatches should now be hooked back in place over the protruding bolts at each side of the compartment. The lower hatch must be hooked place first.

8. Secure the charge hatches using the M4 bolts removed in step 4.



Charging/operating instructions

9. Your laptops can now be loaded into your cabinet and plugged in. Once the laptops are in place the door can be closed and locked if needed, be careful that no cables are trapped when opening and closing the door.
10. To begin charging plug the IEC lead into the power socket located at the side of the cabinet and into a mains socket.

