

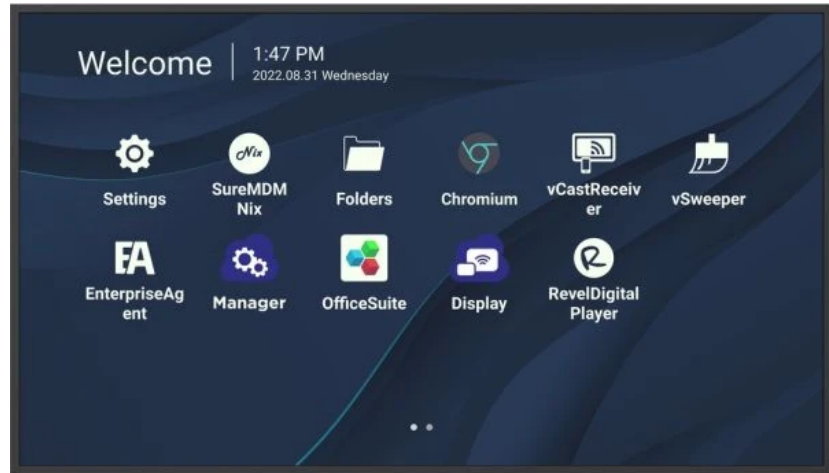


COMMERCIAL DISPLAY

**CDE6530**

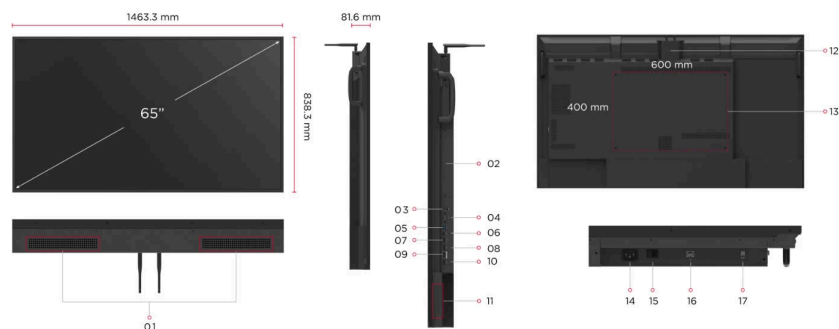
## Key Features

- Wireless presentation for upgraded efficiency
- Single cable via USB-C with 65W power delivery
- 24/7 Sustainable video playback for continuous communication
- Remote device management with myViewBoard Manager
- ProAV compatibility with Crestron, Extron, and AMX



## Product Description

With stunning 4K Ultra HD resolution, high brightness, and landscape and portrait modes, the CDE30 Series offers continuous and sustainable 24/7 display for both corporate and campus communication. Purpose-engineered for ease of use, the display is equipped with a Quad Core SoC to run multiple operations seamlessly, and its USB-C one-cable solution sorts for effortless connection with external devices. Designed for easy-to-operate continuous multimedia playback, the CDE30 Series offers cable-free screen casting and screen sharing through myViewBoard Display and ViewBoard Cast, which also supports Airplay and Chromecast. Remote management via the intuitive myViewBoard Manager makes changing content, broadcasting, and software updates a breeze. Available in 6 sizes ranging from 43" to 98", complete with daisy-chain compatibility, the CDE30 Series meets and exceeds the communication needs of any campus or corporate spaces.



- |                |                                  |                  |
|----------------|----------------------------------|------------------|
| 1. Speaker     | 8. HDMI 2                        | 15. Power Switch |
| 2. OPS Slot    | 9. HDMI OUT                      | 16. LAN          |
| 3. USB 2.0     | 10. HDMI 3                       | 17. SPDIF        |
| 4. RS-232      | 11. Control Panel                |                  |
| 5. USB 3.0     | 12. WiFi Slot                    |                  |
| 6. USB-C       | 13. VESA® Wall Mount (600x400mm) |                  |
| 7. HDMI 1(ARC) | 14. AC IN                        |                  |

---

**Visit Us** [www.viewsonic.com](http://www.viewsonic.com)



**DISPLAY**

Panel Size:	65"
Type/ Tech:	TFT LCD Module. ADS type, DLED backlight
Display Area (mm):	1428.48 (H) ×803.52 (V) (64.5" diagonal)
Native Resolution:	3840 x 2160
Aspect Ratio:	16:9
Colors:	1.07G (8bits + FRC-)
Brightness:	500 nits
Contrast Ratio:	1200:1 (typ.), 5000:1 (DCR enabled)
Response Time:	8ms
Viewing Angles:	H = 178, V = 178 typ.
Backlight Life:	50,000 hours
Surface Treatment:	Anti-Glaire, 3H hardness, Haze 25%
Bezel:	14.7/14.7/14.7/14.7 mm (L/R/T/B)
Orientation:	Landscape & Portrait
Support 24/7 (Operating Hours):	Yes
Disclaimer:	50,000 hours backlight life at 8 hours of use per day

**PLATFORM**

Processor:	Quad-core ARM Cortex A55
RAM:	4GB
Storage:	32GB

**INPUT**

HDMI:	2.1x3 ( 3840x2160 @60Hz, HDMI 1 support ARC)
RS-232:	x 1
OPS Slot:	x 1
WiFi Slot:	x 1

**OUTPUT**

HDMI:	2.0 x1 ( 3840x2160 @60Hz )
SPDIF:	x 1

**LAN**

RJ45:	x 1
-------	-----

**USB**

Type A:	2.0 x 1, 3.0 x 1
Type C:	x 1 ( DP1.2, PD 65W, USB2.0, 100M ethernet)

**SPEAKERS**

16W x 2
---------

**EMBEDDED OS**

Android 11
------------

**POWER**

Voltage:	100-240 VAC +/- 10%
Consumption:	88 W(typ.) < 0.5W(off)

**ERGONOMICS**

Wall Mount (VESA®):	600 x 400 (M8 x 25 mm)
---------------------	------------------------

**OPERATING HOURS**

7/24
------

**DIMENSIONS (W X H X D)**

Physical (inch / mm):	57.61 x 33.0 x 3.21in/ 1463.3 x 838.3 x 81.6mm
Packaging (inch / mm):	63.78 x 37.09 x 8.19 in./1620 x 942 x 208 mm

**WEIGHT**

Net (lb / kg):	56.0 lbs/25.4 kg
Gross (lb / kg):	73.3 lbs/33.25 kg

**REGULATIONS**

cTUVus, FCC/ICES003, Energy star 8.0, EPEAT, Mexico NOM , Mexico Energy, EMC/CE , CB, EAC, UkrSEPRO, RCM, LBL, Flicker free, Green BOM, RoHS , ErP, REACH, SCIP, WEEE , Annex I, Annex II, TPCH , Packing waste, CA65

**PACKAGE CONTENTS**

1. Remote Control with batteries
2. Quick Start Guide
3. Power Cables
4. HDMI cable
5. USB-C cable
6. Wall Mount Screw x 4
7. RS232 adapter
8. Compliance statement



**OPERATING CONDITIONS**

Temperature (° C): 0 to 40°C

Humidity: 10%-90% RH

Copyright © ViewSonic Corporation 2000-2024. All rights reserved.

