

Multi Position Fixed Height - Wall to Floor 8997

- Maximum Weight Capacity 130kg - Maximum Screen Size 95in



WARNING

Safety instructions

Do not attempt to install or use this product until all the instructions and warnings have been read and understood. Please retain these instructions for future reference.

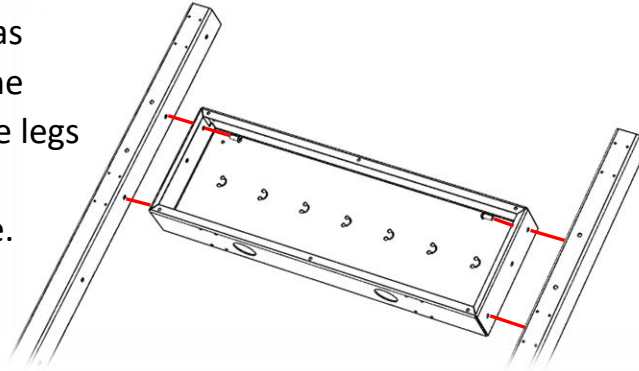
Failure to follow these instructions may result in accident leading to serious injury or death.

Failure to follow these instructions may result in the product being damaged or destroyed and the warranty voided.

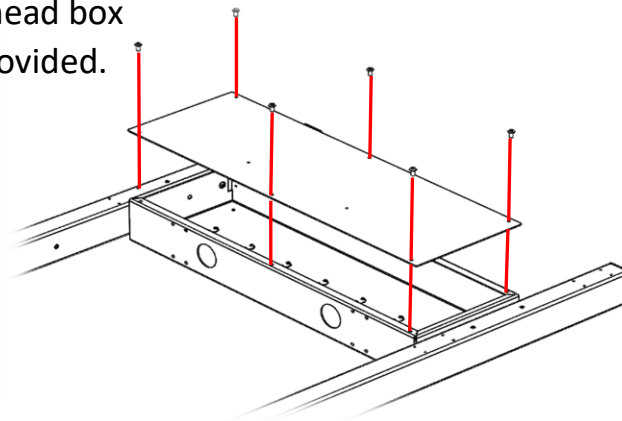
Loxit Products Ltd is not responsible for injury or damage caused by improper installation, improper usage or failure to follow these instructions.

- Never exceed the maximum weight and/or screen size indicated. The use of equipment exceeding the maximum weight and/or screen size may cause instability and/or product failure.
- It is the responsibility of the installer to ensure that the wall and the fixings used are capable of safely bearing the load of the product and any equipment installed on it.
- The product must only be used on a floor which is hard, flat and level.
- All adjustable feet must be in full contact with the floor to prevent stability issues.
- The floor surface the product is installed upon must be capable of safely bearing the weight of the product and any equipment installed on the product.
- Hitting, pushing/pulling or climbing on the product may result in damage and/or failure of the product and may cause the weakening and/or failure of the fixings used to secure the product to the wall and/or floor.
- Children must not be allowed to operate the product.
- The product must only be used indoors in a dry area and it must be ensured before use that the product is safe or protected from liquid contact or spillage.
- Do not place the product in places subject to extreme temperatures, for example near a radiator or heating vent.

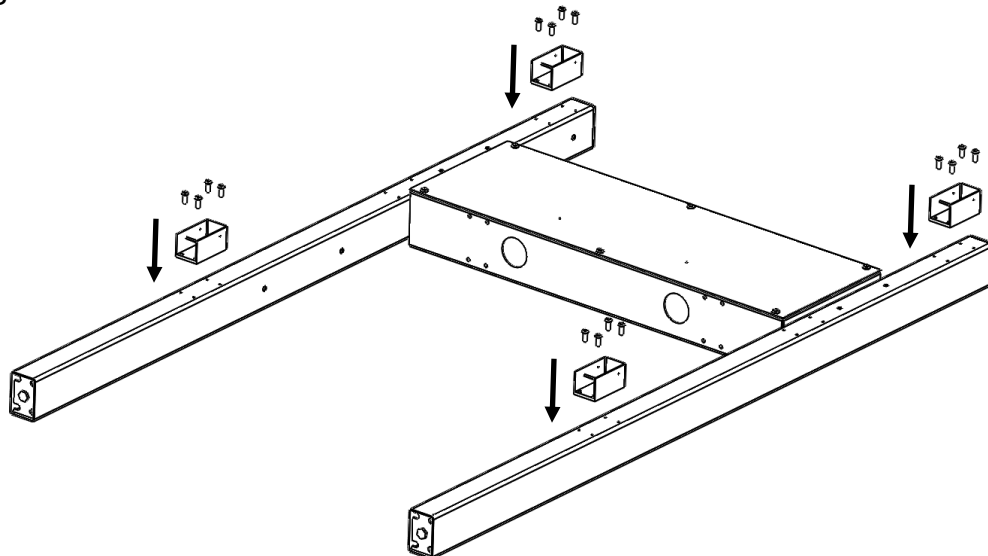
1. Bolt the legs to the head box as shown using four M8 bolts. The head box may be bolted to the legs in several different positions depending on user preference.



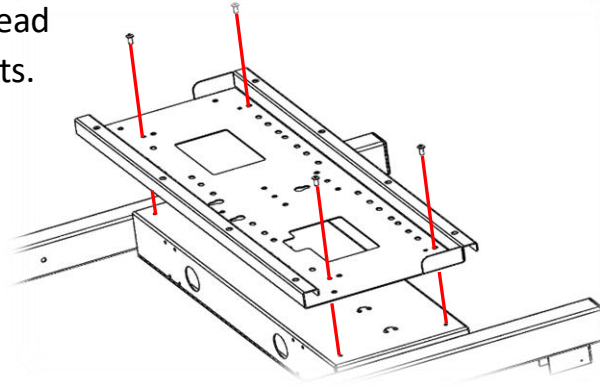
2. Attach the cover to the head box using the six M5 bolts provided.



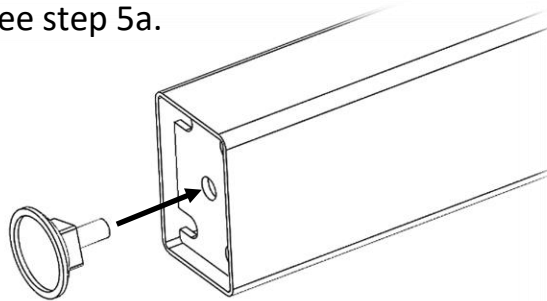
3. Attach your 40 or 100mm mounting brackets to the legs using four M5*16 bolts for each bracket.



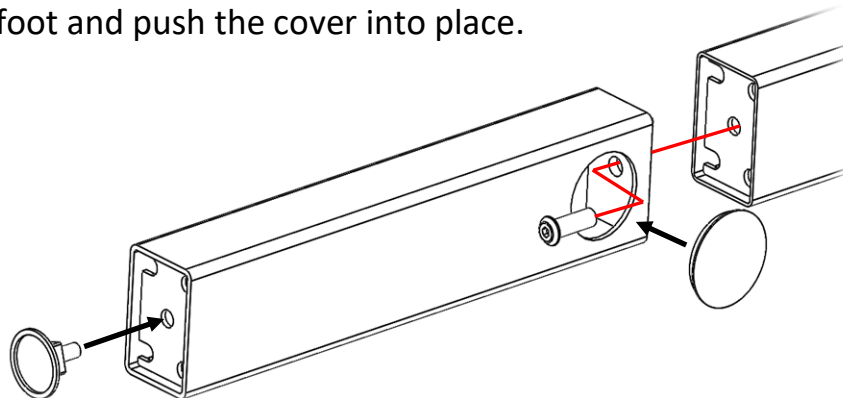
4. Bolt the mount plate to the head box using four M6*16mm bolts.



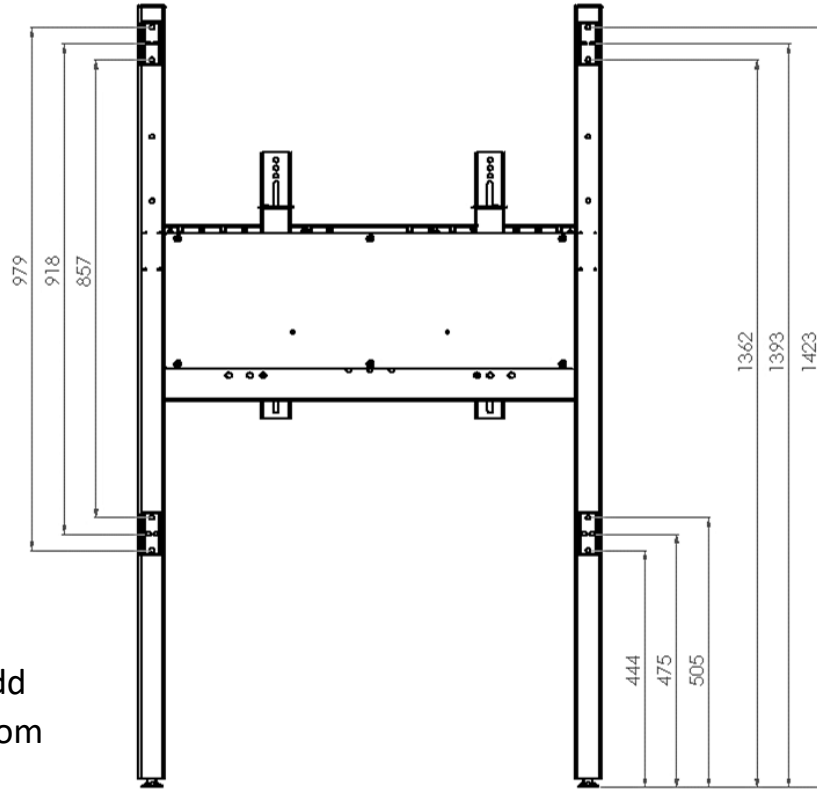
5. Thread an adjustable foot into the bottom of both legs, if using extension legs please see step 5a.



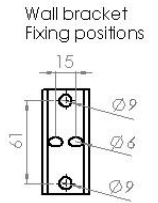
- 5a. Secure the extensions in place using a M10 bolt, then thread in the adjustable foot and push the cover into place.



6. If using the optional easy install brackets move to step 7. Use the drawing shown to fix the wall brackets in the positions shown, use fixings appropriate for the wall.

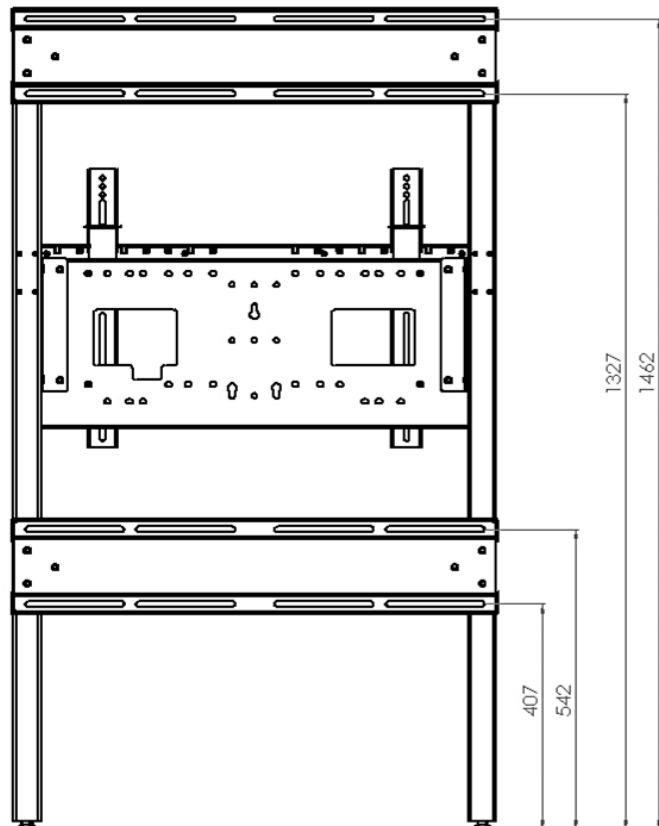


*If using extension legs add 350mm to the distance from the floor.



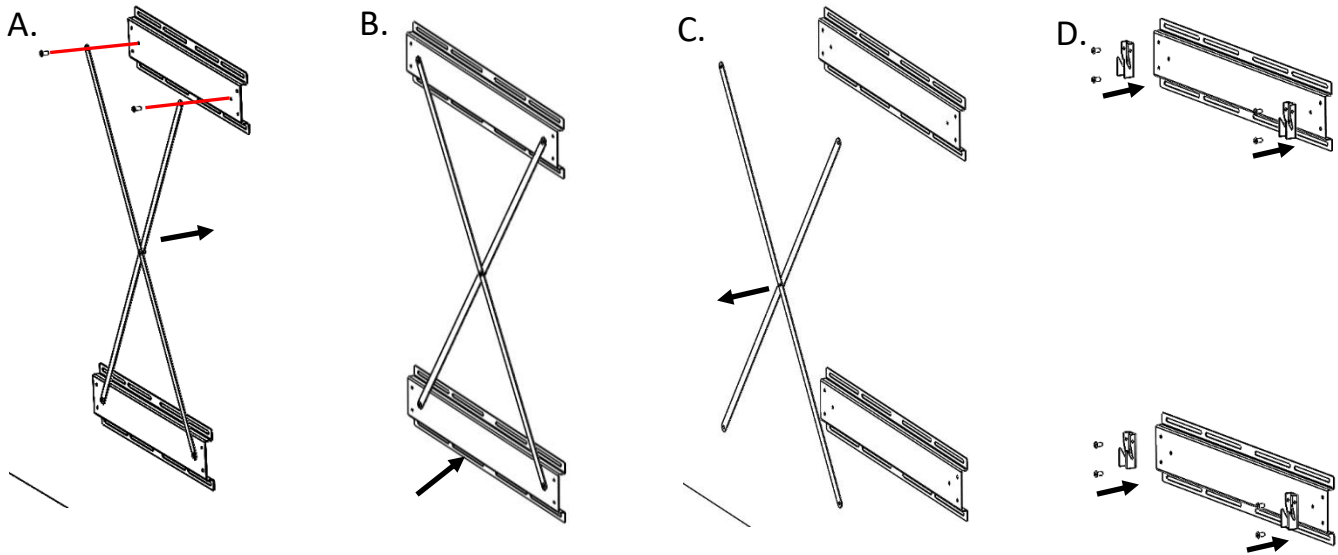
Optional Easy Install Brackets

7. Use the drawing shown to fix the top mount at the correct height, ensure the mount is within ± 5 mm of the dimension given. The tolerance of ± 5 mm can be taken up using the adjustable feet.

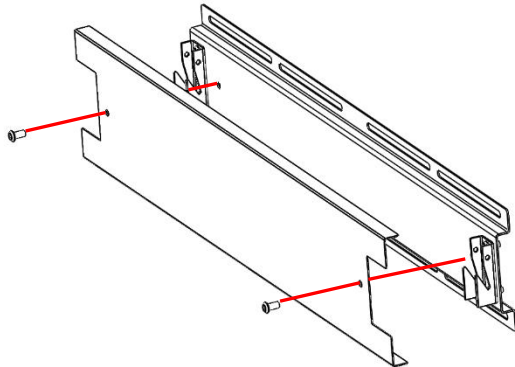


*If using extension legs add 350mm to the distance from the floor.

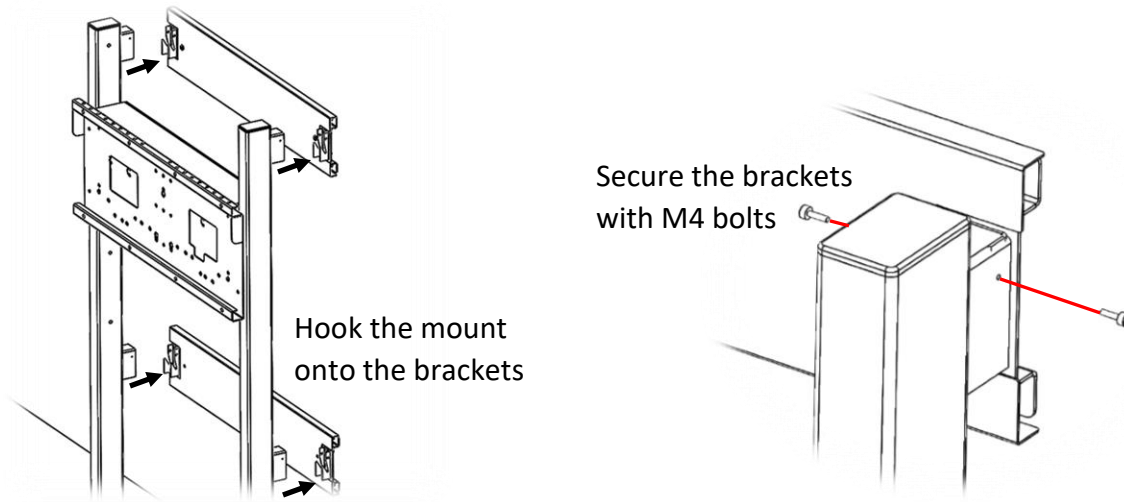
8. A. Bolt the cross members of the easy install kit to the remaining wall mount, then bolt it to the mount already on the wall.
- B. Secure the lower mount to wall using the appropriate fixings.
- C. Remove the cross members.
- D. Bolt the four wall mounting brackets in place using eight M8 bolts



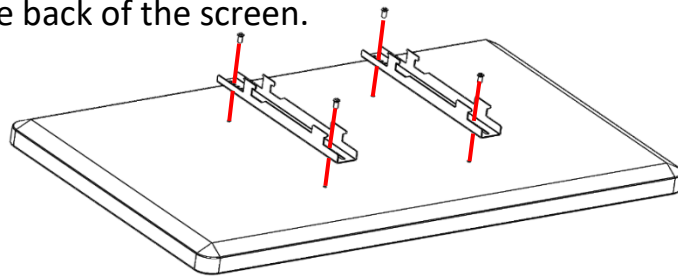
9. Attach the covers to the mounts using two M8 bolts for each cover.



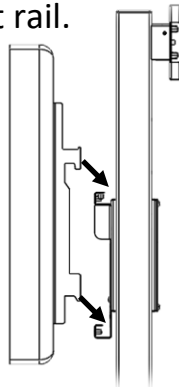
10. Hook the fixed height wall mount onto the brackets and then secure each bracket using two M3*12mm bolts. Adjust the adjustable feet until they contact the floor.



11. Attach the hangers to the back of the screen.



12. Hook the screen onto the mount rail.



13. Secure the screen in place using the brackets and two M6*50mm bolts with washers.

