

Hi Lo Mono 500/600 – Wall Mounted 8430 and 8431

-Maximum Weight Capacity 130kg -Maximum Screen Size 86in



WARNING

Safety instructions

Do not attempt to install or use this product until all the instructions and warnings have been read and understood. Please retain these instructions for future reference.

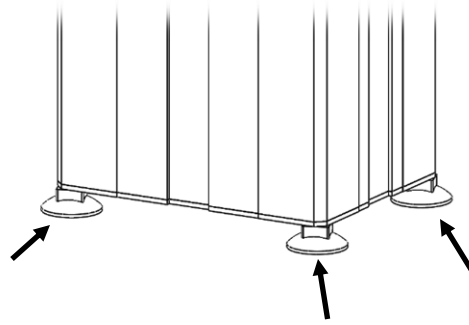
Failure to follow these instructions may result in accident leading to serious injury or death.

Failure to follow these instructions may result in the product being damaged or destroyed and the warranty voided.

Loxit Products Ltd is not responsible for injury or damage caused by improper installation, improper usage or failure to follow these instructions.

- Never exceed the maximum weight and/or screen size indicated. The use of equipment exceeding the maximum weight and/or screen size may cause instability and/or product failure.
- Ensure the areas above and below any moving parts of the product are kept clear of obstructions at all times.
- It is the responsibility of the installer to ensure that the wall and the fixings used are capable of safely bearing the load of the product and any equipment installed on it.
- The product must only be used on a floor which is hard, flat and level.
- All adjustable feet must be in full contact with the floor to prevent stability issues.
- The floor surface the product is installed upon must be capable of safely bearing the weight of the product and any equipment installed on the product.
- Hitting, pushing/pulling or climbing on the product may result in damage and/or failure of the product and may cause the weakening and/or failure of the fixings used to secure the product to the wall and/or floor.
- Children must not be allowed to operate the product or have access to the controls.
- To prevent bodily injury, keep hands and clothing away from moving parts when the product is in operation.
- Before installing the product or working with its connections, unplug the product from the mains power supply socket.
- The product must only be used indoors in a dry area and it must be ensured before use that the product is safe or protected from liquid contact or spillage.
- Unplug the product IMMEDIATELY in the following conditions:
 - When the power cord or plug is damaged or frayed.
 - If liquid has spilled into the product.
 - If the product has been exposed to rain or water.
 - If the product exhibits a distinct change in performance, indicating a need for servicing.
- Do not place the product in places subject to extreme temperatures, for example near a radiator or heating vent.

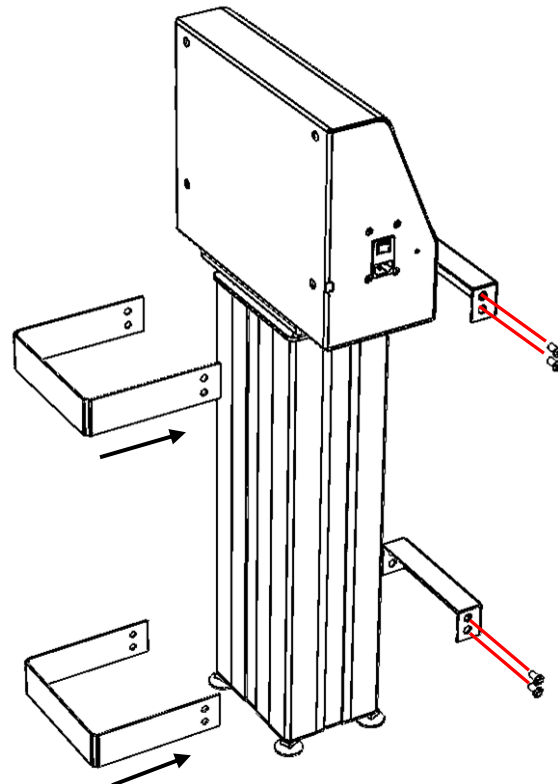
1. If using adjustable feet thread the feet into the base of the column, then stand the column upright and use the feet to level it.



2. Bolt the brackets to the column as shown using four M8*20mm bolts for each bracket.

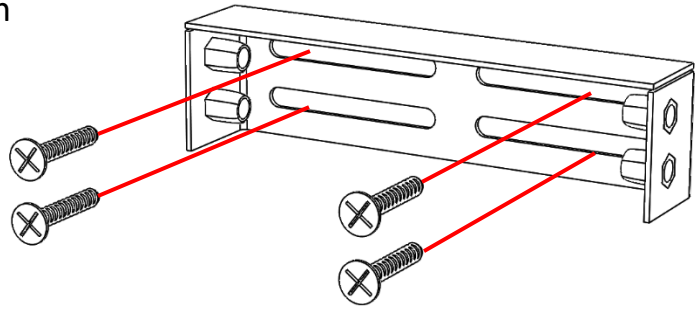
The upper bracket should be positioned as high as possible on the column and should sit just below the collar.

The lower bracket should be mounted be no more than 125mm from the bottom of the column (measured to the center of the bracket).

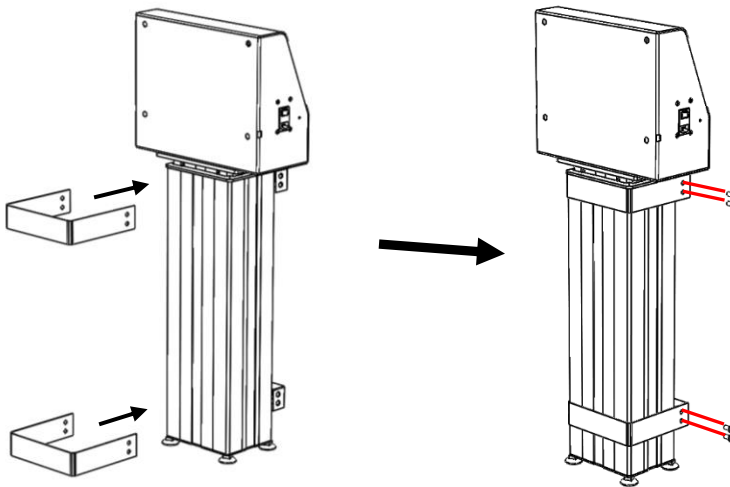


3. Move the column against the wall where it is to be mounted and mark the positions of the brackets on the wall.
4. Move the column away from the wall and remove the brackets. Place the brackets against the marks made in the previous step and mark the positions of your fixings in the slots.

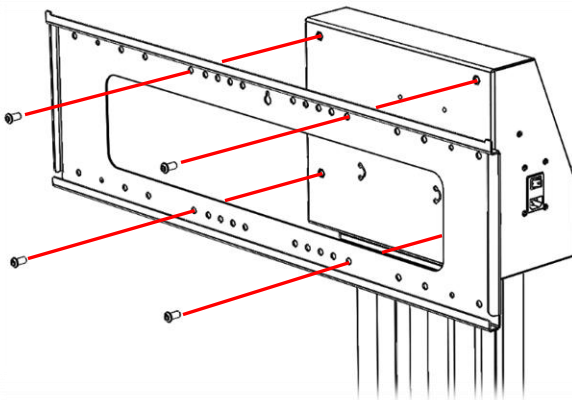
5. Drill the holes for the fixings and then fix the mounts to the wall using the appropriate fixings. Ensure the brackets are vertically aligned.



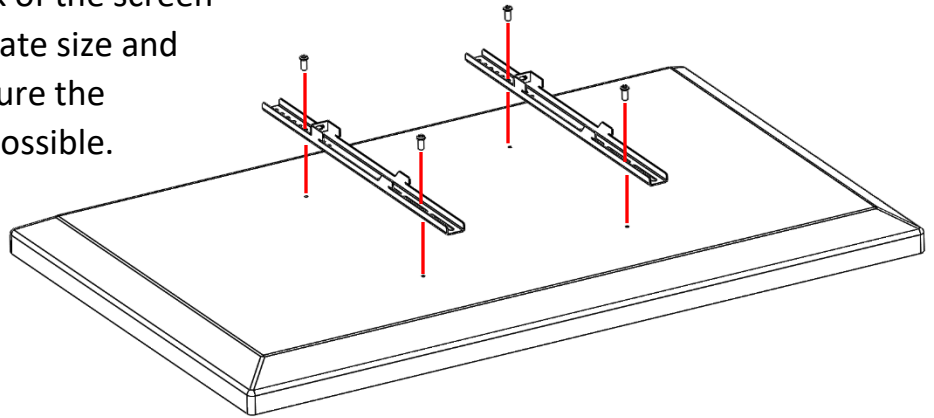
6. Move the column up against the two brackets on the wall, then slide the U-shaped part of bracket around the column and secure in place using four M8 bolts for each bracket.



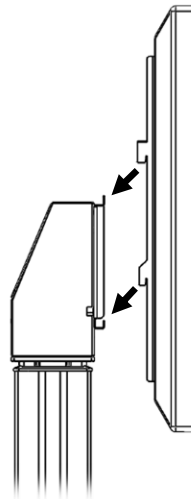
7. Fix the mount plate to the headbox using four M8 bolts.



8. Fix the brackets to the back of the screen using fixings of an appropriate size and length for your screen. Ensure the brackets are as central as possible.



9. Hook the screen onto the mount rail.



10. Secure the screen in place by fixing through the brackets into the mount plate, use the M5x50mm Bolts and washers provided.

