



VIEWBOARD

ViewBoard IFP8662

Key Features

- Superb 4K UHD display panel with UFT+ technology, and 20-points multi-touch
- One-stop premium conference solution with compatible ViewSonic conference speakerphone and camera
- Comprehensive I/O ports, vCastSender, and myViewBoard display
- Built-in USB Type-C for simultaneous 65W fast charge and visual display
- Centralised IT management and content display by myViewBoard Manager

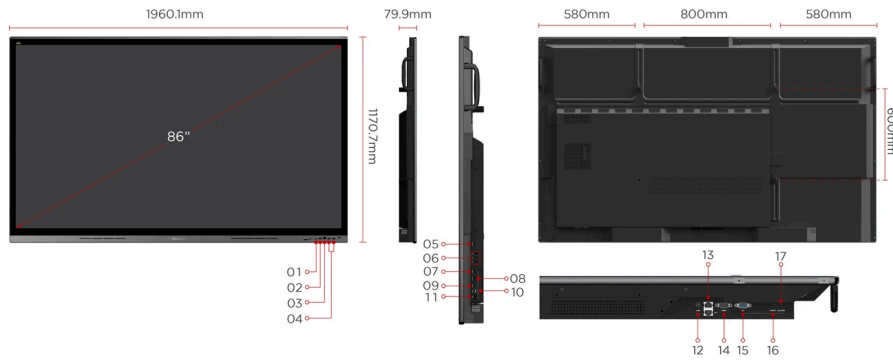


Product Description

ViewSonic ViewBoard 62 series is an unparalleled large-format interactive display that propels collaborators to achieve effective and robust results. The bezel-less 4K UHD display panel is a gateway to a new visual quality and immersive meeting space. Indulge in the maximised precision of true-to-life handwriting strokes thanks to the UFT+ Technology, 20-points multi-touch with multi-grade pen pressure. Compatible with ViewSonic conference speakerphone (VB-AUD-201) and all-in-one video conference camera (VB-CAM-201) systems. The ViewBoard 62 series boasts pristine audio and a pixel-perfect image, making it a powerful one-stop meeting station.

Furthermore, it allows multiple connections, including comprehensive I/O ports, vCastSender, and myViewBoard Display, as well as built-in USB type-C ports supporting 65W fast charge and top-notch display at the same time. As an undoubted enhancement, the built-in myViewBoard Manager is an intuitive and effortless tool for IT and MIS systems that enables centralised IT control and multi-media presentation.





- 1. USB-C
- 2. HDMI In
- 3. Touch out
- 4. USB-A
- 5. HDMI out
- 6. USB-A
- 7. HDMI in 1

- 8. HDMI in 2
- 9. HDMI in 3
- 10. Touch
- 11. USB-A
- 12. SPDIF
- 13. LAN
- 14. RS232

- 15. VGA
- 16. Audio in
- 17. Audio out

Visit Us

www.viewsonic.com



DISPLAY

Panel Size:	86"
Panel Type:	TFT LCD Module with DLED Backlight
Display Area (mm):	1895.04 (H) x 1065.96 (V)
Aspect Ratio:	16:9
Resolution:	UHD 3840x2160(Pixels)
Colours:	1.07 Billion colours, 10bit
Brightness:	450 nits
Backlight Life:	50,000 Hours (Min.)
Contrast Ratio:	5000:1 Typ.
Response Time:	8ms
Viewing Angles:	H = 178, V = 178 typ.
Surface Treatment:	Hardness: 9H pencil
Bezel:	Top: 38.8 mm Bottom: 63.9 mm Left: 31.5 mm Right: 31.5 mm
Disclaimer:	50,000 hours backlight life at 8 hours of use per day

PLATFORM

Processor:	Dual core A73+Dual core A53
RAM:	3GB DDR4
Storage:	32GB eMMC

TOUCH

Type/ Tech:	Ultra Fine Touch Plus Technology (Projected Capacitive)
Touch Resolution:	32767 x 32767
Touch Point:	20

INPUT

HDMI:	x4
RGB / VGA:	x1
Audio:	1x PC-Audio IN
MIC(Microphone):	Full band 6-element MEMS microphone array
RS232:	x1
OPS:	x1
WiFi:	x1

OUTPUT

HDMI:	x1
Audio:	x1
SPDIF:	x1

LAN

RJ45:	x2
-------	----

USB

Type A:	x6
Type B:	x2
Type C:	x1

SPEAKERS

12W x 2 + 15W x 1 Subwoofer

BUNDLE SOFTWARE

Basic Annotation Software:	myViewBoard WhiteBoard for Android
Pro Annotation Software:	myViewBoard WhiteBoard for Windows (Embedded in Windows Slot-in PC)
Wireless Presentation:	ViewBoard Cast & myViewBoard Display & AirServer

SPECIAL FEATURES

Simple LAN sharing between IFP and slot-in device:	Yes
--	-----

POWER

Voltage:	100-240VAC +/- 10% Wide Range
Consumption:	On: 160W(Typ.) / Off: < 0.5W

OPERATING CONDITIONS

Temperature (° C):	0°C to 40°C
Humidity:	20% ~ 80% RH non-condensing

DIMENSIONS (W X H X D)

Physical (inch / mm):	77.2 x 46.1 x 3.1 in / 1960 x 1171 x 80 mm
Packaging (inch / mm):	83.2 x 50.8 x 10.6 in / 2113 x 1290 x 270 mm

WEIGHT

Net (lb / kg):	140.43 lb / 63.7 kg
Gross (lb / kg):	185.74 lb / 84.25 kg

REGULATIONS

cTUVus, FCC/ICES003, Energy star 8.0, EPEAT, Mexico NOM, Mexico Energy, EMC/CE, CB/LVD, GOST-R / EAC, UkrSEPRO, UKCA, LBL, Green BOM, RoHS, ErP, REACH, SCIP, WEEE, TPCH, CA65, PAIA
--

PACKAGE CONTENTS

1. Power cable
2. Remote control
3. AAA battery X2
4. USB cable Type C
5. Passive stylus x 2
6. Quick Start Guide
7. Compliance statement
8. RS232 adaptor
9. Plate
10. Clamp x 5
11. Screw x 8
12. HDMI cable
13. Touch USB cable

COMPATIBLE SLOT-IN PC

VPC25-O-B series, VPC27-O-B series

Copyright © ViewSonic Corporation 2000-2024. All rights reserved.

