

Call 01513727766

Varitilt Mobile Table

Electric height and tilt adjustable collaborative table with easy access from all sides. Ideal for Care Homes, Conference Rooms, Hospitality Suites & Training Areas.

43" TO 55" INTERACTIVE AREA

10, 20 OR 100 TOUCH POINTS WITH PROJECTED CAPACITIVE TECHNOLOGY

32 TOUCH POINTS WITH INFRARED TECHNOLOGY

OPTIONAL I7 PC

ELECTRIC HEIGHT AND TILT ADJUSTABLE

HDMI AND USB CONNECTIVITY

EASY ACCESS ALL SIDES

4K UHD, BACK-LIT LED SCREEN

OPTIONAL INTEGRATED ANDROID USE WITHOUT A CONNECTED PC

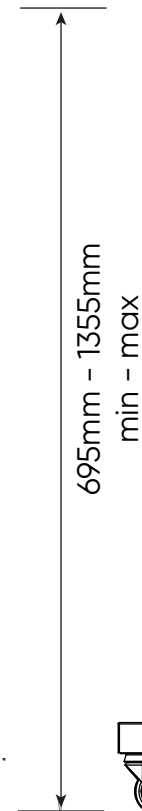
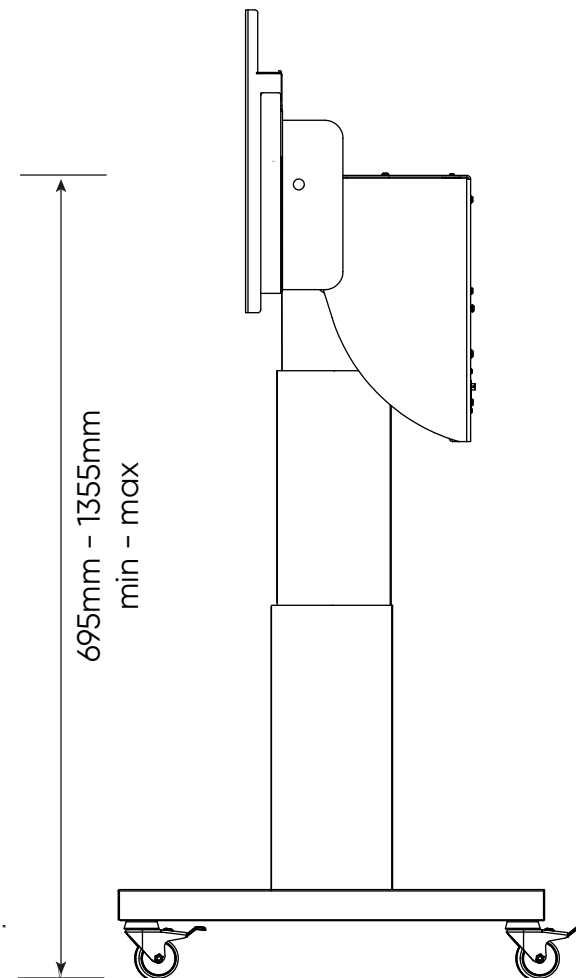
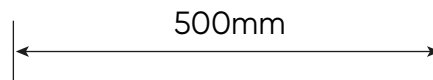
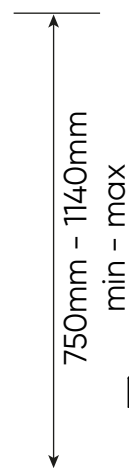
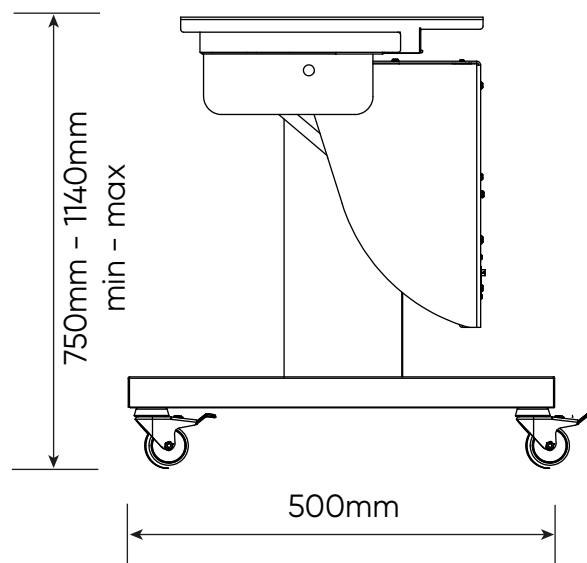
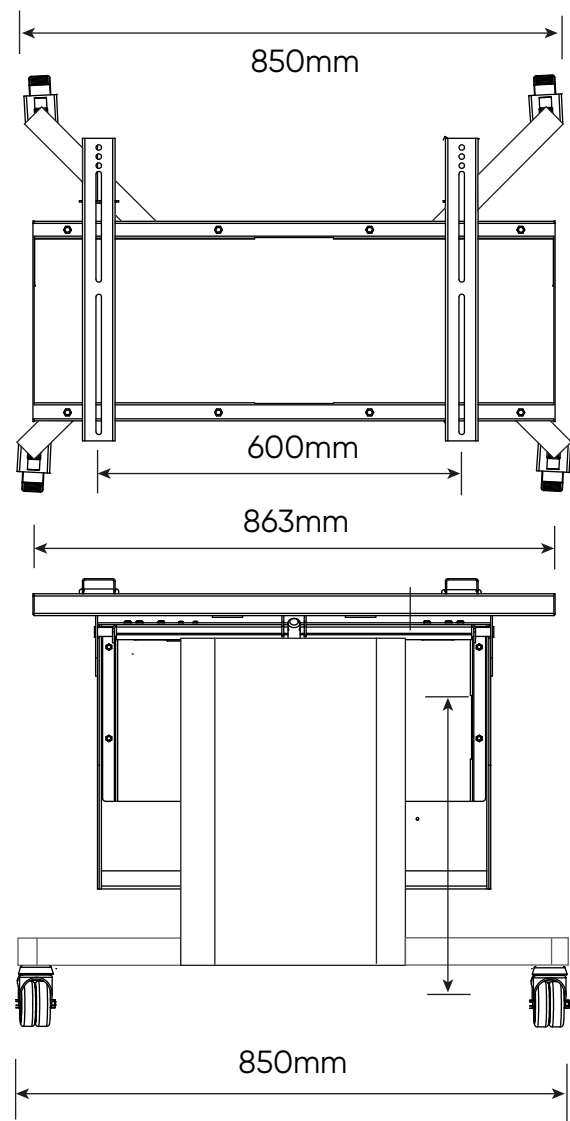
ANTI-BACTERIAL FILM OPTION CURRENTLY BEING TESTED FOR COVID-19

BATTERY OPTION

3 YEAR ON-SITE WARRANTY

Note: Product design specifications including dimensions are subject to change without notice and may vary from those shown.

Varitilt trolley



43" Electra Touch Screen

DISPLAY PANEL

Screen Size	43" TFT-LCD
Display area	941mm (W) x 529mm (H) 16:9
Maximum Resolution	3840 x 2160 4K UHD
Display color	16.7M
Pixel Pitch(mm)	0.63 (H) x 0.63 (V)
Brightness (cd/m ²)	500cd/m ²
Contrast (Type)	3000 : 1
Visual angle	178°/178°
Response time	5ms
Life (hrs)	>60,000 (hrs)

TOUCH

Detection Method	Projected Capacitive
Available Touch Point	10 Point
Response Time (Type)	<= 10 ms
Positioning	±2mms
Transmittance	≥92%
Hardness	7H

MECHANICAL

Monitor Size	1010mm (w) x 597mm (h) x 65mm (d)
Colour	Black
Case	Metal Case SPCC
Certificate	CE FCC
Quality Standard	ISO9001,CCC
Weight	75Kg

CONNECTIVITY

HDMI	1
USB	1 (USB2.0 interface)
VGA	1
L/R audio input	1 (RCA*2)
L/R audio output	1 (RCA*2)
Speaker	2×5W(9Ω)

POWER

Input Voltage	AC100 ~ 240V 50 /60 HZ
Maximum power consumption	≤220W
Standby power consumption	<5W

TEMPERATURE

Working temperature	0°C ~ 50°C
Storage temperature	-20°C ~ 60°C
Working humidity	85%
Storage humidity	85%

PRE-LOADED SOFTWARE

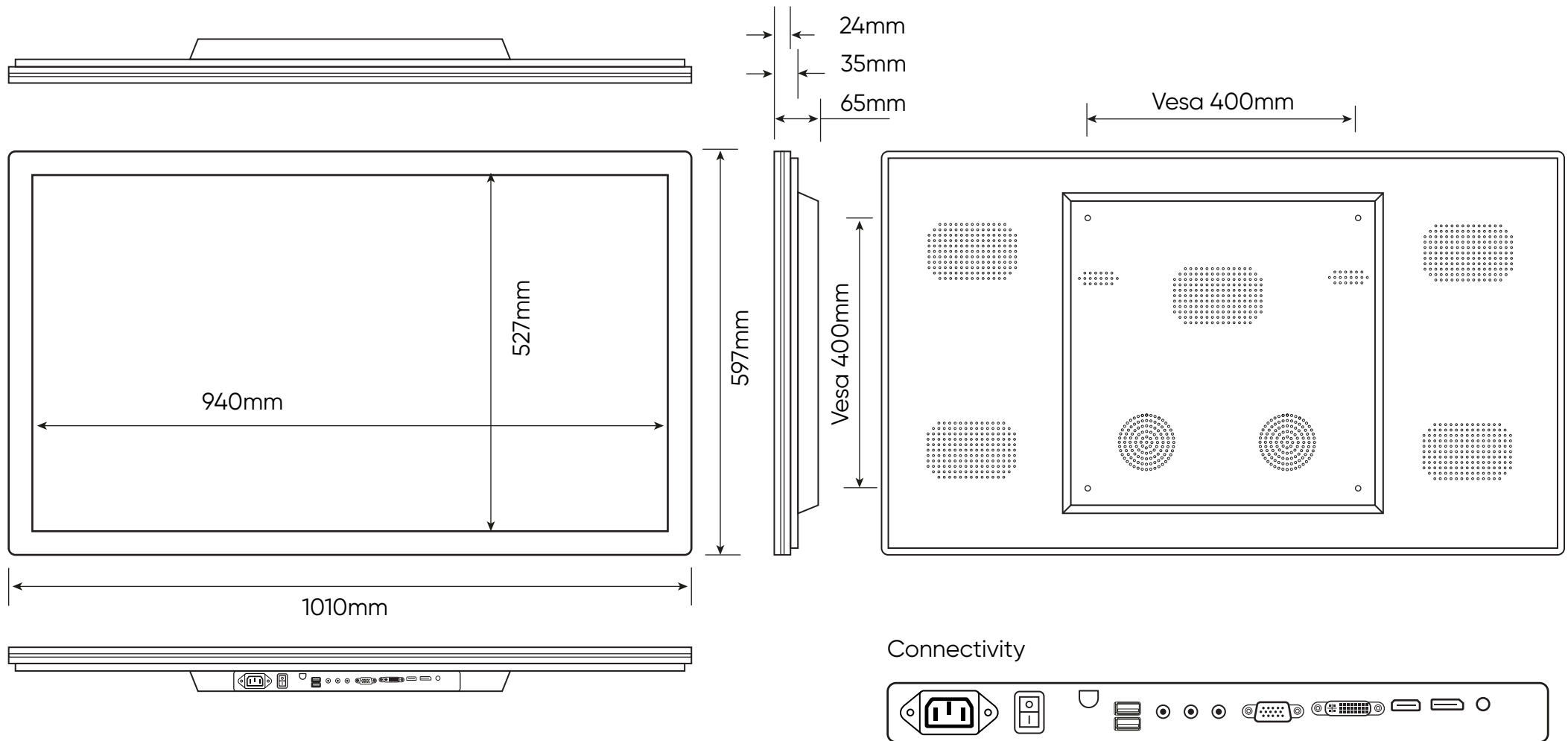
Whiteboard Software	Android & Windows versions available
---------------------	--------------------------------------

WARRANTY

3 year on-site warranty as standard
Extended warranties and SLA's available at an additional cost

Note: Product design specifications including dimensions are subject to change without notice and may vary from those shown.

43inch Electra Touch Screen with Projected Capacitive Technology



Note: Product design specifications including dimensions are subject to change without notice and may vary from those shown.

55" Lightning III Touch Screen

Dimensions

Width	1311 mm
Height	783 mm
Depth	112.7 mm
Weight	40 kg
Visible screen	1209.6mm x 680.4mm

Display

Touch points	32
Screen Type	LED Backlit
Aspect ratio	16:9
Resolution	Full HD
Pixels	1920 x 1080
Android OS	Yes
Brightness	350 cd/m ²
Contrast	1400
Response Time	8ms
Number of Colours	16.7M (8-bit)
Refreshing Frequency	60Hz
View Angle	178/178
Service Life (Minimum)	> 30,000 hrs

Touch System

Sensing Type	Infrared System (32 point operation : 65 FHD modle 10 point)
Response Time	<10ms(typ)
Response Area	>=Ø3ms
Reported Touch Resolution	32768x32768 (with driver) : 7680x4320 (without driver)
Communication Mode	USB

Ambient Conditions

Operation Temperature	0°C-40°C
Operation Humidity	10% - 90% RH
Storage Temperature	-20°C-60°C
Storage Humidity	10% - 90% RH

Main Board Module

Main Chipset Manufacture	MSTAR
--------------------------	-------

Audio

Max Audio Output (THD=7%)	15Wx2+20Wx1
---------------------------	-------------

Connectivity

Composite Video Input (Mini Jack)	1
Composite Audio Input (Mini Jack)	3
Component Video input(Mini Jack)	0
Component Audio Input (Mini Jack)	0
S-video Input	0
VGA Input:(D-sub)	3

Note: Product design specifications including dimensions are subject to change without notice and may vary from those shown.

VGA Output:(D-sub)	1
VGA Audio Input	3
VGA Audio Output (Mini Jack)	0
HDMI Input	2 (Support 4K Input)
DP Input	1
A/V Output (Mini Jack)	0
Earphone Jack	1
RS-232C(Type)	1
SPDIF Output(Optical/ Coaxial)	1 (Optical)
USB 2.0	1 (Side) +2 (Front)
USB 3.0	2
USB2.0 for camera For Android & Windows	1
LAN(RJ45)	1
Updating interface	USB
WAN(RJ45)In	1
WIFI router	1 (A/B/G/N)

Supplied Accessories

AC Power Cable / Operating Instructions / Quick Start Guide / Writing Pen / Remote Control / VGA Cable / USB Cable / HDMI Cable / Guarantee Card

Warranty

3 year on-site warranty as standard

Extended warranties and SLA's available at an additional cost

Andriod OS

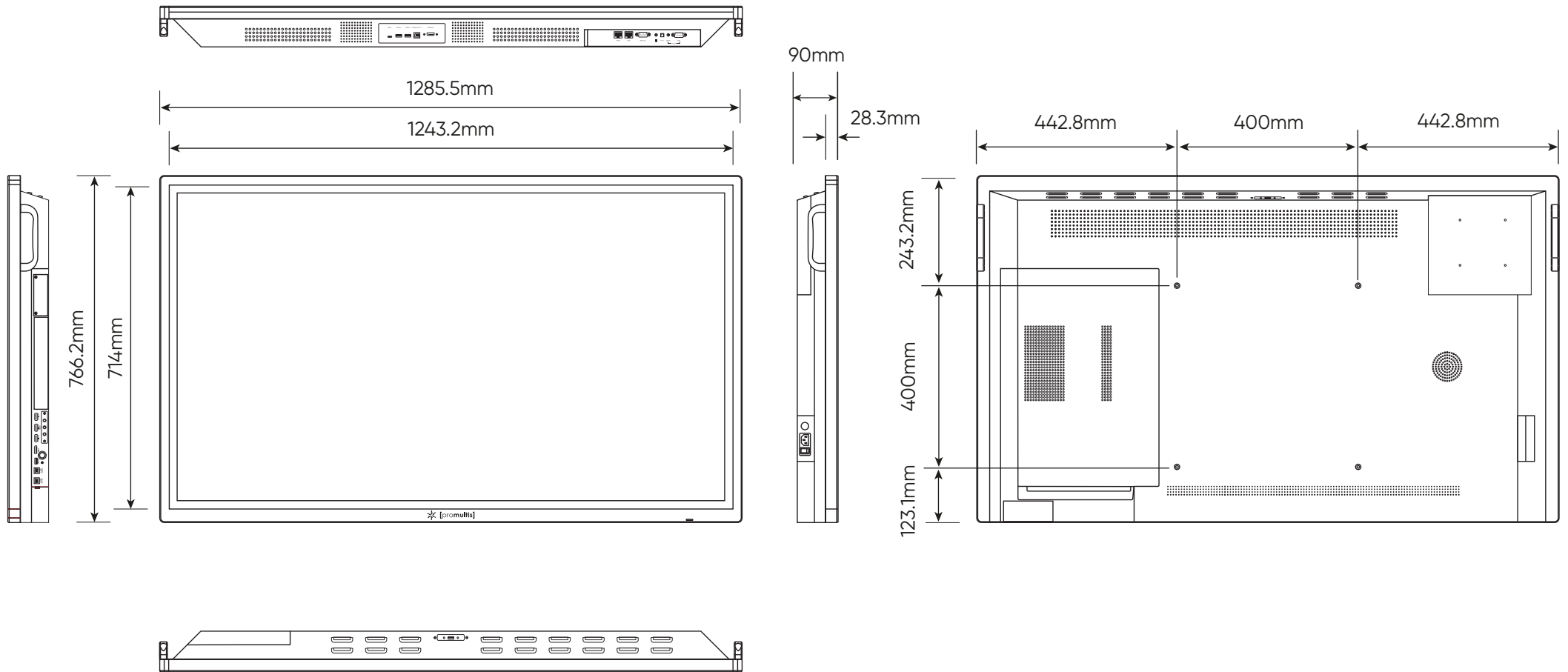
System Version	Android 5.01
CPU	ARM Cortex A53 1.5G
GPU	Mali450x4
RAM	2GB

Optional USFF PC integration in rear

Processor	Intel i7
Graphics	2GB Dedicated
Sound Card	Integrated High Definition Audio Stereo
Networking	Integrated 10/100/1000M Adaption
Memory	8GB DDR3
Hard Drive	M.2 128GB SSD
WIFI	802.11b/g/n /802.11a/b/g/n (optional)
USB(A)	6(4 for USB2.0 2 for USB3.0)
Microphone In	1
Earphone Out	1
HDMI	1
Mini DP	1
Lan Port(RJ45)	1
VGA Out	1

Note: Product design specifications including dimensions are subject to change without notice and may vary from those shown.

55 inch Lightning III Touch Screen with Infrared Technology



Note: Product design specifications including dimensions are subject to change without notice and may vary from those shown.

55" TAB Touch Screen

CHASSIS FEATURES

Materials	Aluminum
Glass type	Toughened

PANEL

Interactive area	55"
Panel resolution	1080p Full HD or 4K UHD
Native resolution	1920 x 1080 or 3840 x 2160 60Hz
Brightness (nits)	450
Contrast ratio	1500 to 1
Response time	6ms
Aspect ratio	16x9
Viewing angle	178° / 178°
Pixel pitch	0.744 (mm)
LCD Illumination	Backlit LED
Speaker	10W x2

ENVIRONMENT

Operating temperature	50°F to 104°F (10°C to 40°C)
Operating Humidity	10% to 80%, non-condensing
Storage Temperature	-4°F to 113°F (-20°C to 45°C)
Storage Humidity	5% to 95%, non-condensing

SHIPPED WITH

Cables	Power USB HDMI
Remote control	Included
User manual	Included

WARRANTY

3 year on-site warranty as standard

PROJECTED CAPACITIVE

Detection method	Projected Capacitive
Input method	Finger and gloved finger
Number of simultaneous touches	10, 20 or 100 touches
Noise Shielding	DISPLAX XTR-Shield™ Plus, a proprietary noise filtering technology
Aspect ratio	16:9
Controller	Printed circuit board with mini USB connector
Adhesive	Permanent
Interface	HID
OS with multitouch	Windows 8.1, 8, 7, 10; Ubuntu 12.04; Android; Chrome OS
OS with single touch	Mac OS X Yosemite
OS with mouse emulation	Spinetix Media Player HMP 200
Data connectivity	USB 2.0
Touch accuracy	1mm absolute

PERFORMANCE

Substrate thickness	Up to 6mm
Touch response	5 milliseconds
Calibration	Available using control panel: no drift

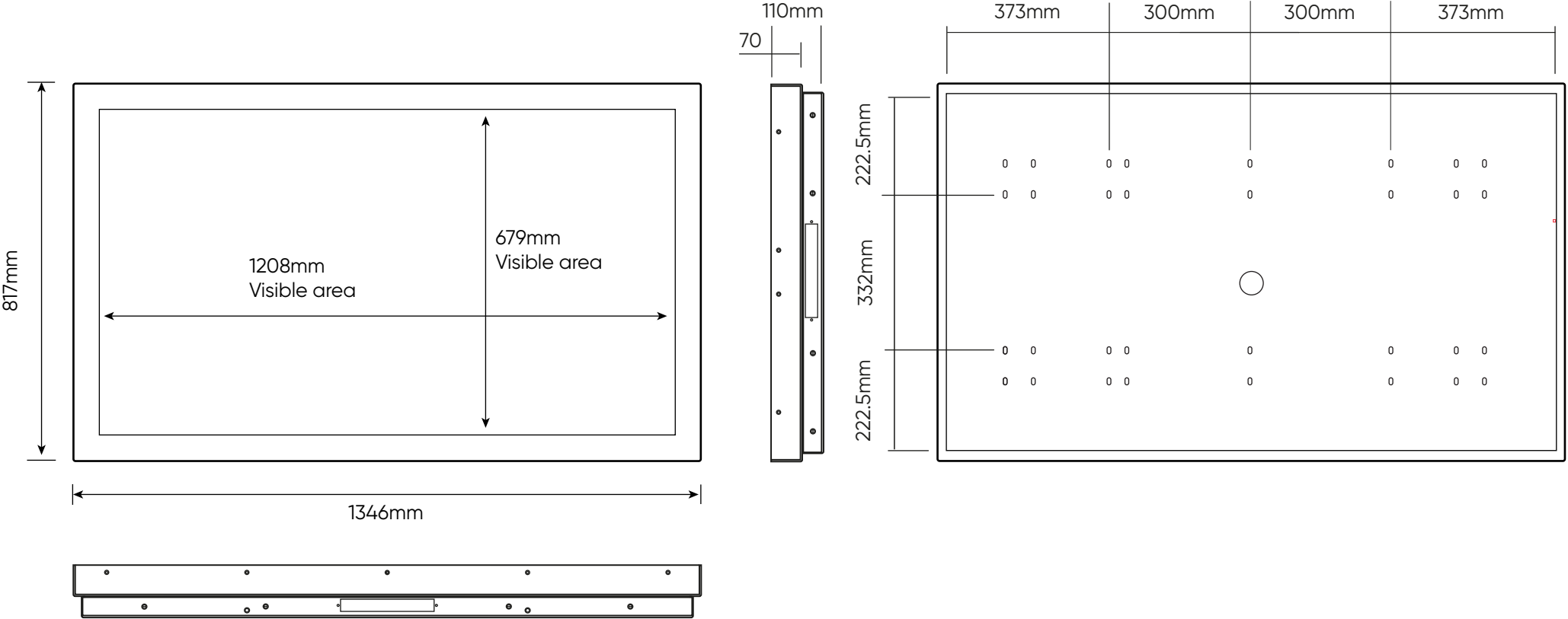
POWER CONSUMPTION

Average power consumption (P)	USB powered @ 5V
	Peak consumption: 410 mA
	Operation consumption: 370mA

RELIABILITY

Operating temperature range	-20°C to 70°C
Operating humidity range	0% to 96%
Life time expectancy	Unlimited
Controller life time expectancy	1 million hours

55" TAB Box Top Projected Capacitive Touch Screen



Note: Product design specifications including dimensions are subject to change without notice and may vary from those shown.