

# 32" KS1 Interactive Touch Table

The 32" KS1 interactive touch table is an interactive, mobile, tilt-adjustable touch screen table built with nurseries and schools in mind.



Note: Product design specifications including dimensions are subject to change without notice and may vary from those shown. Please call us for the most up to date specifications and dimensions.



Made in the UK

For more information  
Visit [futurevisuals.co.uk](https://futurevisuals.co.uk)  
or contact us on:  
0151 372 7766 [info@futurevisuals.co.uk](mailto:info@futurevisuals.co.uk)

SPECIFICATIONS	
Panel Size	32" TFT-LCD
Display Area (mm) Mode	699(W)x392.8(H) 16:9
Maximum Resolution	3840x2160
Display Colour	16.7M
Pixel Pitch (mm)	0.363(H)×0.363(V)
Brightness (nits)	350cd/m <sup>2</sup>
Contrast	2000:1
Visual Angle	178°/178°
Response Time	5ms
Weight	48kg
INPUT & OUTPUT	
Web Camera	5MP
OPS Slot	1
HDMI	3
USB	2
VGA	1
Lan	1
Audio	1
RS232	1
Speaker	2 x 5W (9Ω)
VIDEO	
Colour System	PAL/NTSC/SECAM

Note: Product design specifications including dimensions are subject to change without notice and may vary from those shown. Please call us for the most up to date specifications and dimensions.



Made in the UK

For more information  
 Visit [futurevisuals.co.uk](http://futurevisuals.co.uk)  
 or contact us on:  
 0151 372 7766 [info@futurevisuals.co.uk](mailto:info@futurevisuals.co.uk)

POWER	
Power supply	AC100~240V 50 /60 HZ
Maximum power consumption	≤100W
Standby power consumption	<5W
TEMPERATURE	
Working temperature	0 °C ~ 50 °C
Storage temperature	-20 °C ~ 60 °C
Working humidity	85%
Storage humidity	85%
ANDROID SPECIFICATIONS	
Andriod system	Google Android 13 support multi-language
Ram	4G DDR4
CPU	4-core ARM Cortex-A55/2.0 Ghz
Rom	32G
APPEARANCE	
Colour/appearance	White, black, customised
Case	Metal case SPCC
Installation	Wall mount
Quality Standard	CE, CCC
TOUCH PANEL	
Specification	Projected Capacitive Touch
Positioning accuracy	±2mms
Transmittance	≥92%

Note: Product design specifications including dimensions are subject to change without notice and may vary from those shown. Please call us for the most up to date specifications and dimensions.



Made in the UK

For more information  
 Visit [futurevisuals.co.uk](http://futurevisuals.co.uk)  
 or contact us on:  
 0151 372 7766 [info@futurevisuals.co.uk](mailto:info@futurevisuals.co.uk)

Hardness	7H
Click manner	10 Touch Points
Response time	≤10ms
Life time	More than 600 million times
<b>DETAILED FUNCTIONS</b>	
Video format	MPEG1/MPEG2/MPEG4/DivX/ASP/WMV/AVI
Audio format	Wave/MP3/WMA/AAC
Image format	JPEG/BMP/TIFF/PNG/GIF
Image resolution	480P/720P/1080P/2160P

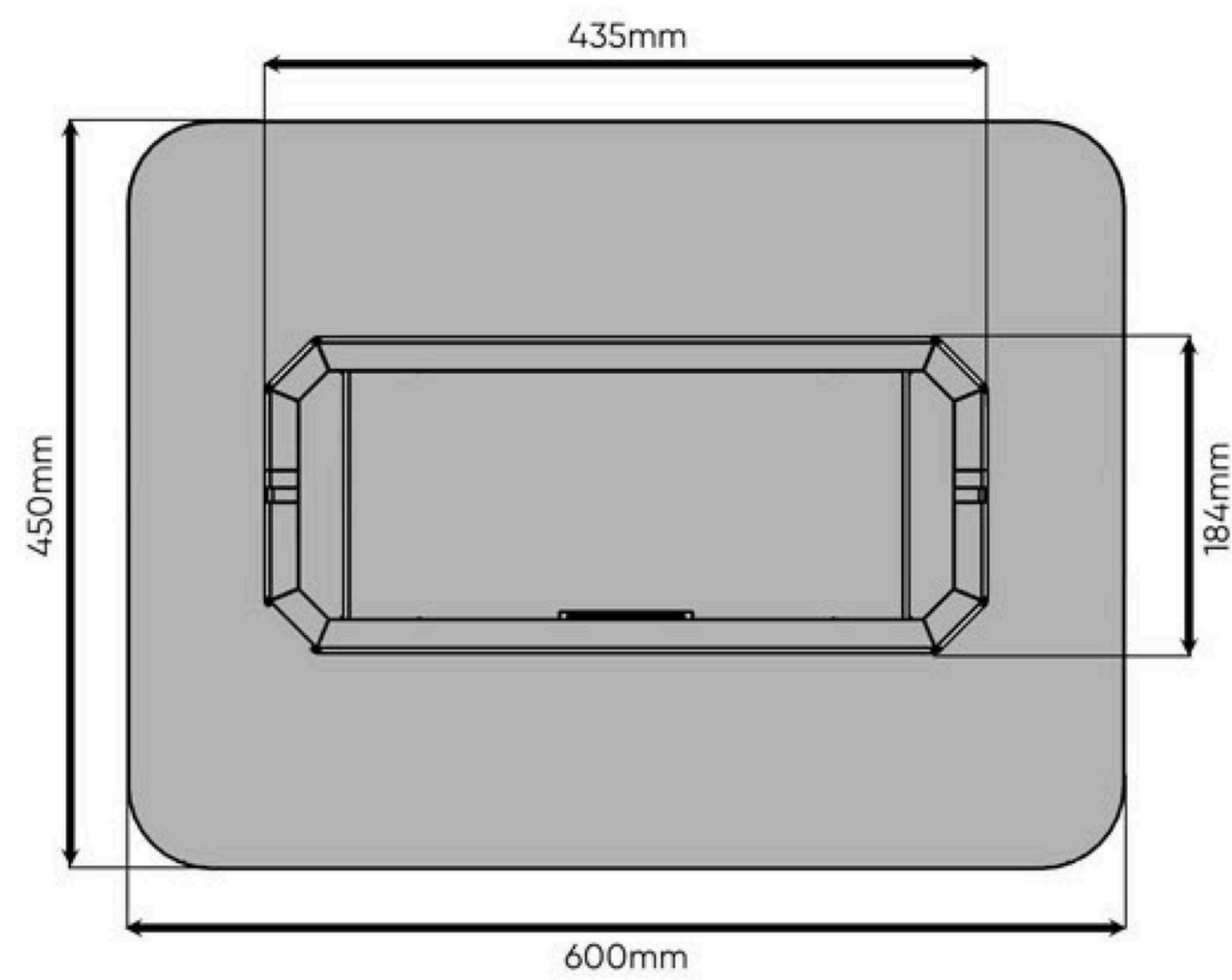
Note: Product design specifications including dimensions are subject to change without notice and may vary from those shown. Please call us for the most up to date specifications and dimensions.



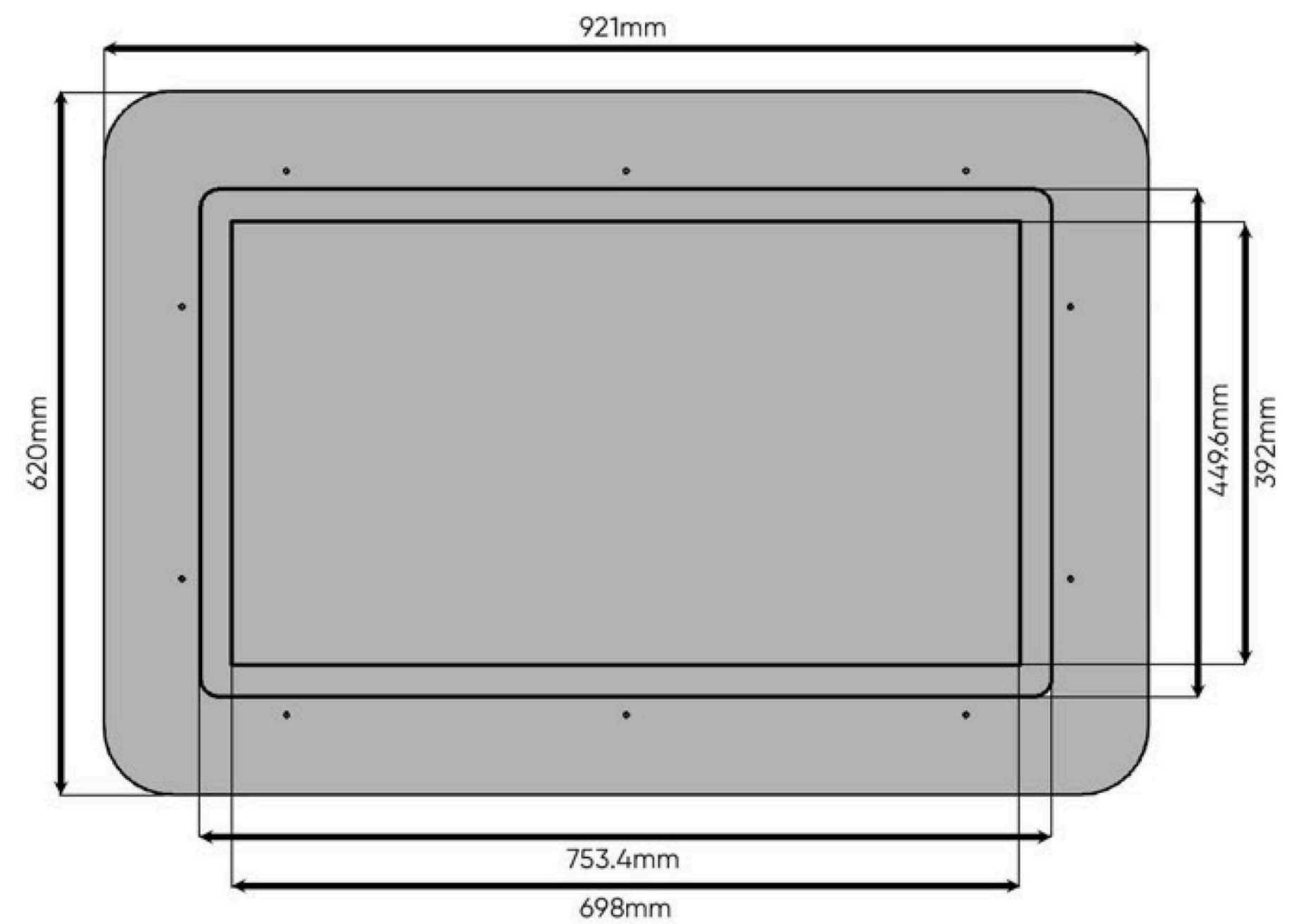
Made in the UK

For more information  
 Visit [futurevisuals.co.uk](http://futurevisuals.co.uk)  
 or contact us on:  
 0151 372 7766 [info@futurevisuals.co.uk](mailto:info@futurevisuals.co.uk)

Birds eye view without screen



Birds eye view with screen

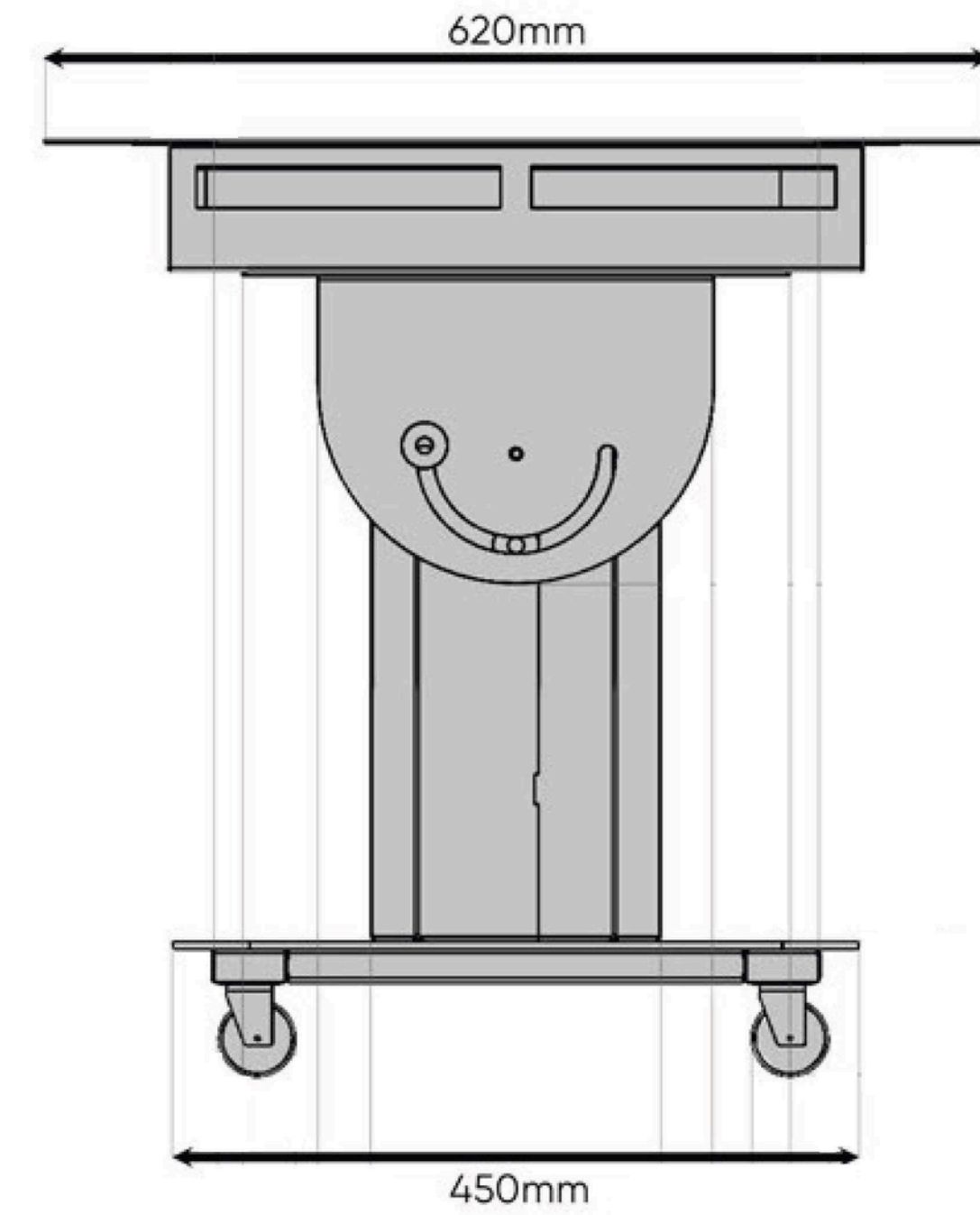
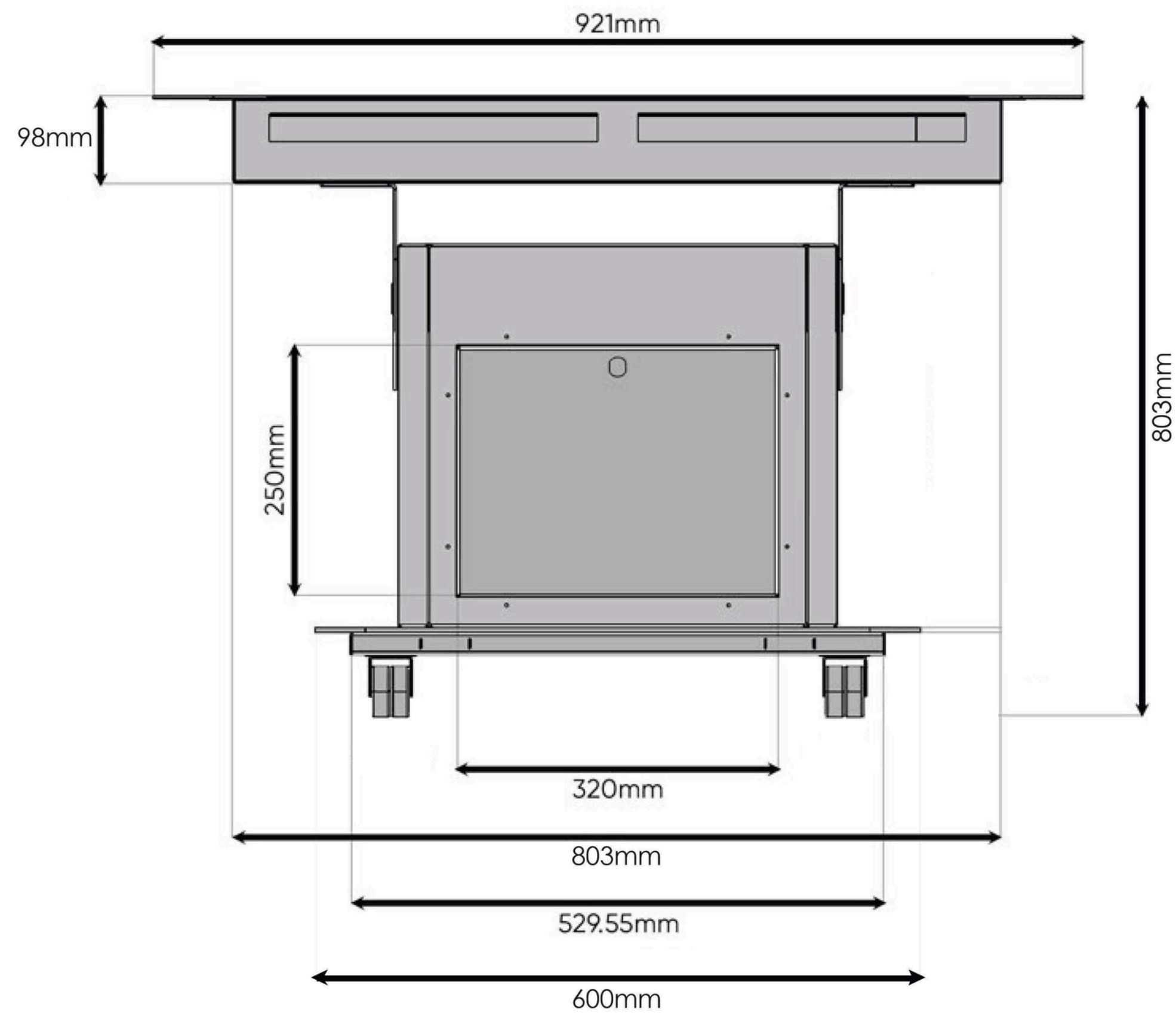


Note: Product design specifications including dimensions are subject to change without notice and may vary from those shown. Please call us for the most up to date specifications and dimensions.



Made in the UK

For more information  
Visit [futurevisuals.co.uk](http://futurevisuals.co.uk)  
or contact us on:  
0151 372 7766 [info@futurevisuals.co.uk](mailto:info@futurevisuals.co.uk)



Note: Product design specifications including dimensions are subject to change without notice and may vary from those shown. Please call us for the most up to date specifications and dimensions.



Made in the UK

For more information  
 Visit [futurevisuals.co.uk](http://futurevisuals.co.uk)  
 or contact us on:  
 0151 372 7766 [info@futurevisuals.co.uk](mailto:info@futurevisuals.co.uk)